

# SCHEMATIC DIAGRAM

## MODEL : 32AF62 / 32AF42

**WARNING:** BEFORE SERVICING THIS CHASSIS, READ THE "X-RAY RADIATION PRECAUTION", "SAFETY PRECAUTION" AND "PRODUCT SAFETY NOTICE" ON THE MANUAL FOR THIS MODEL.

**CAUTION:** The international hazard symbols " $\triangle$ " in the schematic diagram and the parts list designate components which have special characteristics important for safety and should be replaced only with types identical to those in the original circuit or specified in the parts list. The mounting position of replacements is to be identical with originals. Before replacing any of these components, read carefully the PRODUCT SAFETY NOTICE on the MANUAL for this model. Do not degrade the safety of the receiver through improper servicing.

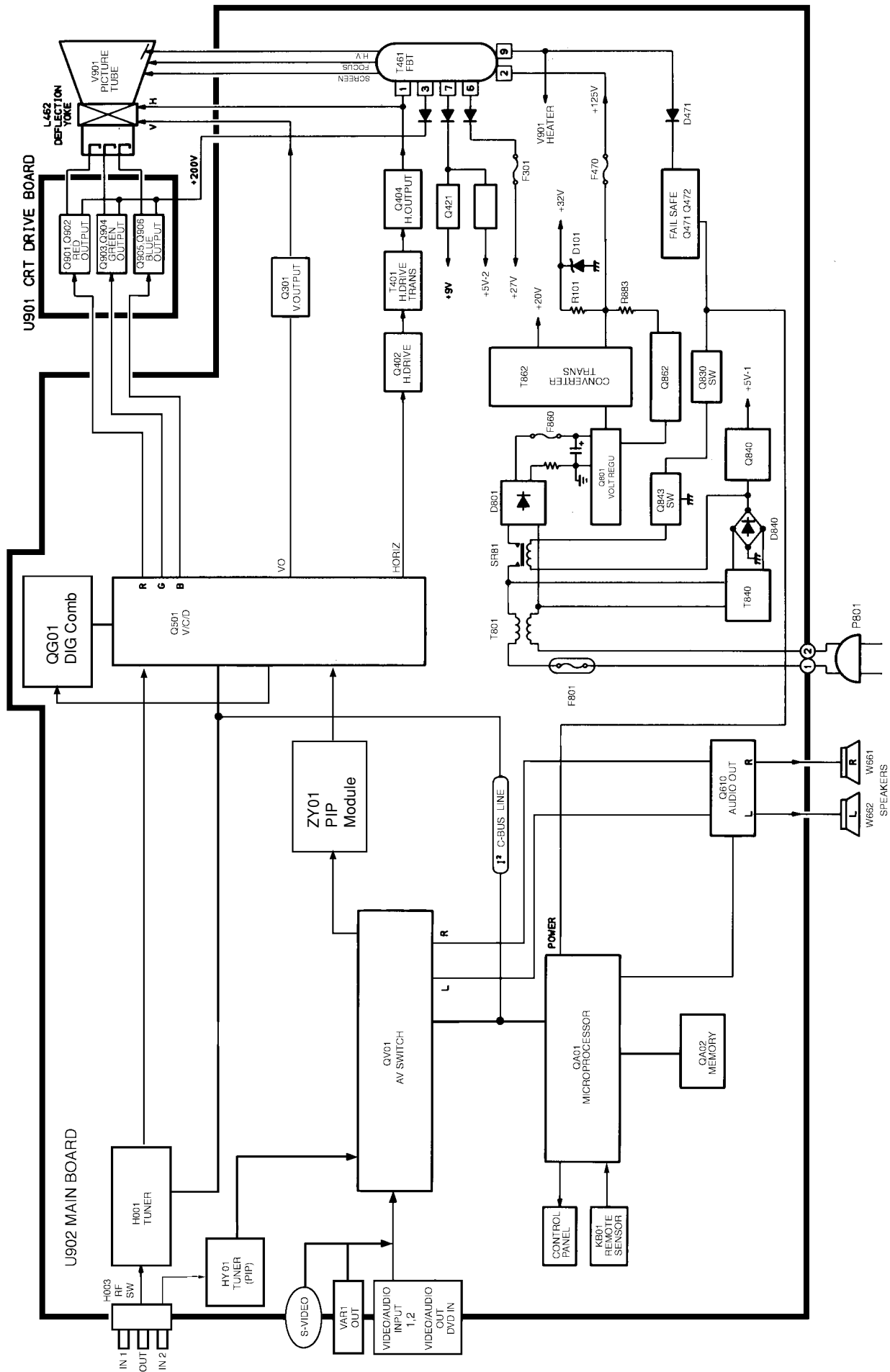
**NOTE:**

1. RESISTOR Resistance is shown in ohm [K = 1.000, M = 1.000.000]. All resistors are 1/6W and 5% tolerance carbon resistor, unless otherwise noted as the following marks.  
 1/2R = Metal or Metal oxide of 1/2 watt                                  1/2S = Carbon composition of 1/2 watt  
 1RF = Fuse resistor of 1 watt    10W = Cement of 10 watt  
 K = ±10%    G = ±2%    F = ±1%
2. CAPACITOR Unless otherwise noted in schematic, all capacitor values less than 1 are expressed in  $\mu$ F, and the values more than 1 in pF.  
 All capacitors are ceramic 50V, unless otherwise noted as the following marks.  
 —|+|— Electrolytic capacitor                                  —|⊙|— Mylar capacitor
3. The parts indicated with " $\triangle$ " have special characteristics, and should be replaced with identical parts only.
4. Voltages read with DIGITAL MULTI-METER from point indicated to chassing ground, using a color bar signal with all controls at normal, line voltage 120 volts.
5. Waveforms are taken receiving color bar signal with enough sensitivity.
6. Voltage reading shown are nominal values and may vary ±20% except H.V.

**■ SCHEMATIC DIAGRAM STRUCTURE:**

SIGNAL Circuit	BANKAN AUDIO TUNER / IF AV-SW VCD MICON MW	[ SHEET - 1/7 ] ..... 1/17 [ SHEET - 2/7 ] ..... 2/17 [ SHEET - 3/7 ] ..... 3/17 [ SHEET - 4/7 ] ..... 4/17 [ SHEET - 5/7 ] ..... 5/17 [ SHEET - 6/7 ] ..... 6/17 [ SHEET - 7/7 ] ..... 7/15
POWER / DEF Circuit	BANKAN V-DEF-DPC H-DEF POWER KEY-LED TILT SUB-TUNER	[ SHEET - 1/7 ] ..... 8/17 [ SHEET - 2/7 ] ..... 9/17 [ SHEET - 3/7 ] ..... 10/17 [ SHEET - 4/7 ] ..... 11/17 [ SHEET - 5/7 ] ..... 12/17 [ SHEET - 6/7 ] ..... 13/17 [ SHEET - 7/7 ] ..... 14/17
CRT-D VM / 3L-DIGI-COMB Circuit		..... 15/17
CONTROL-1 Circuit		..... 16/17
CONTROL-2 Circuit		..... 17/17

# CIRCUIT BLOCK DIAGRAM



1

2

3

4

5

6

7

8

A

A

B

B

C

C

D

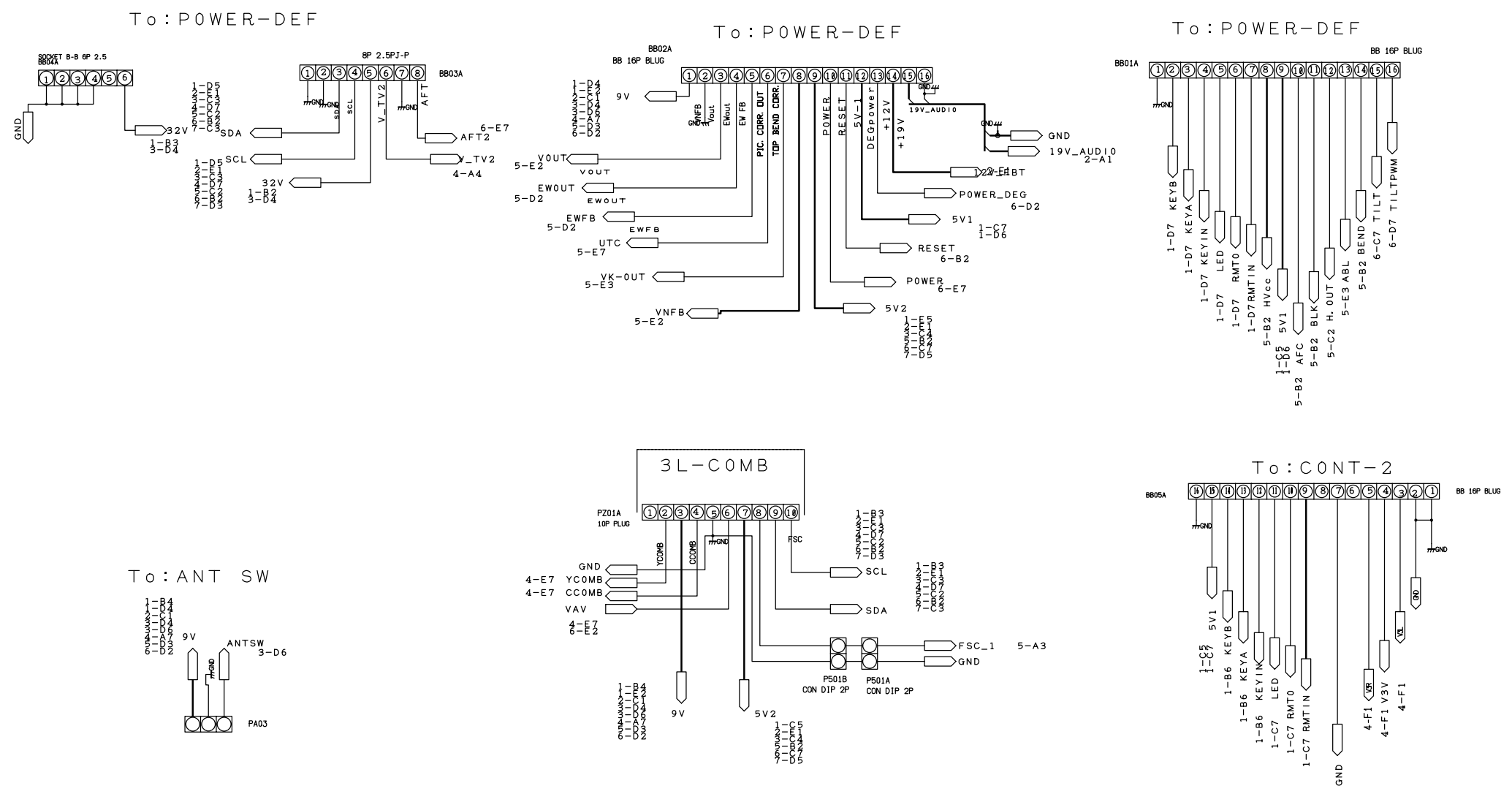
D

E

E

F

F



1

2

3

4

5

6

7

8

1

2

3

4

A

B

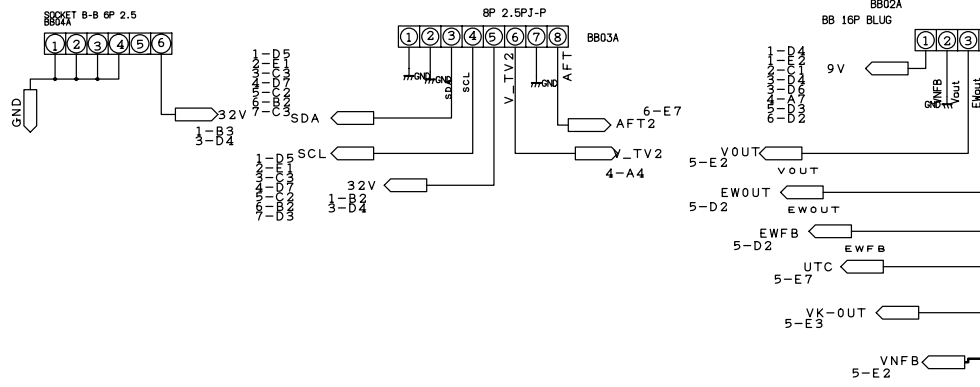
C

D

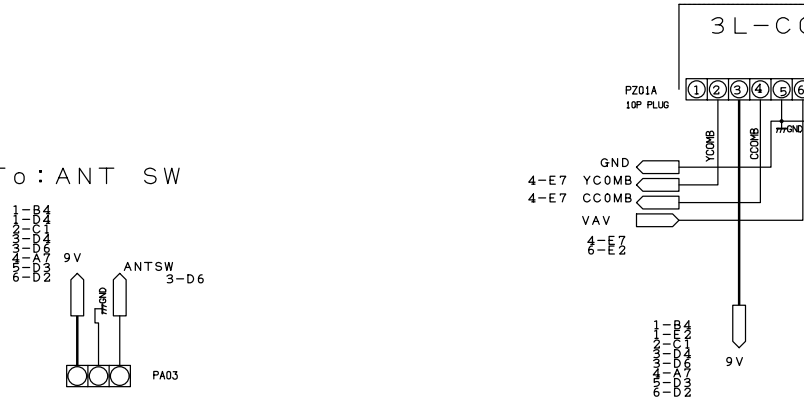
E

F

To : POWER-DEF



To : ANT SW



A

B

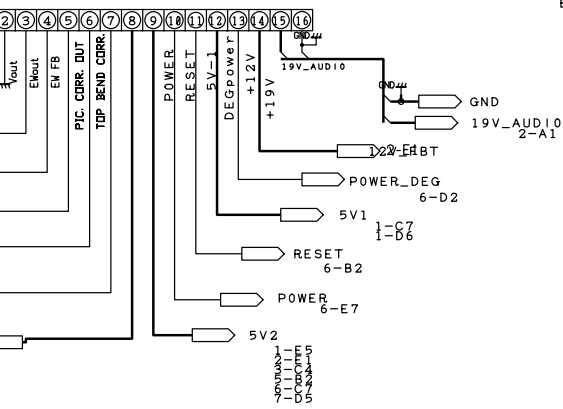
C

D

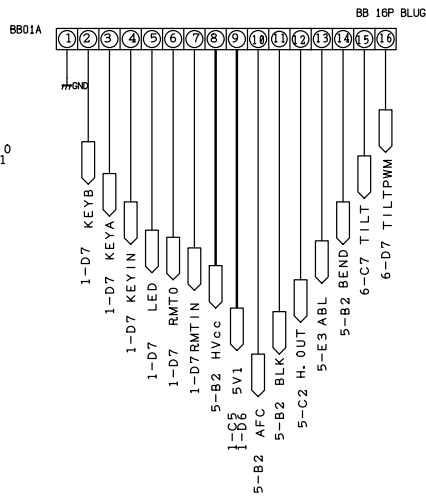
E

F

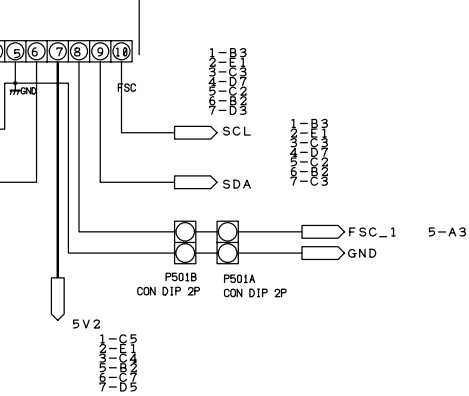
To : POWER-DEF



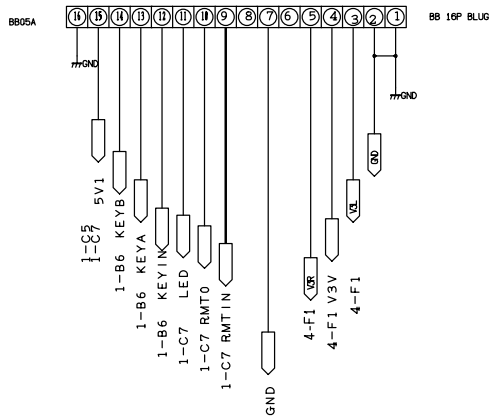
To : POWER-DEF



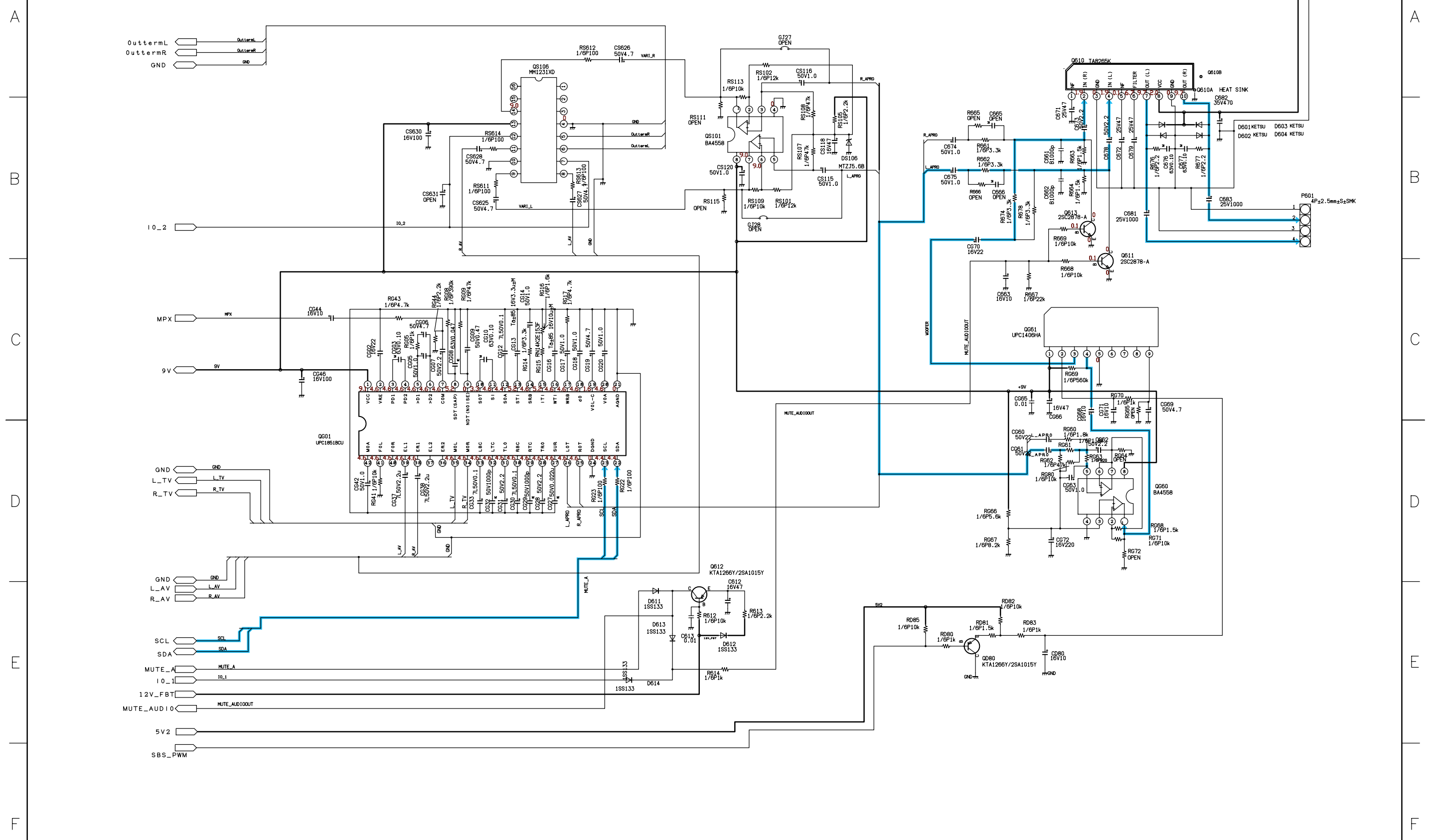
COMB



To : CONT-2



1 2 3 4 5 6 7 8



1 2 3 4 5 6 7 8

1

2

3

4

A

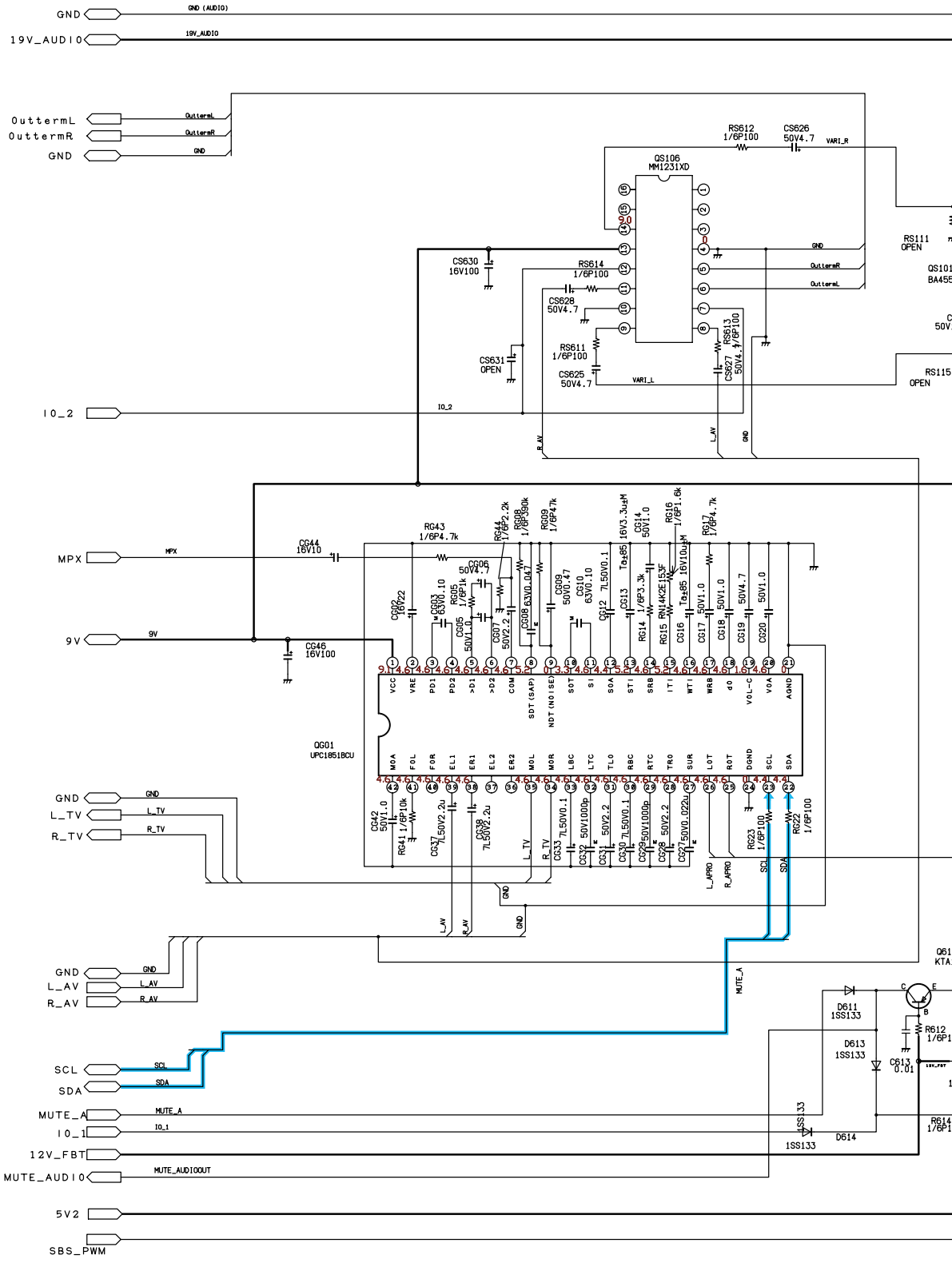
B

C

D

E

F



1

2

3

4

A

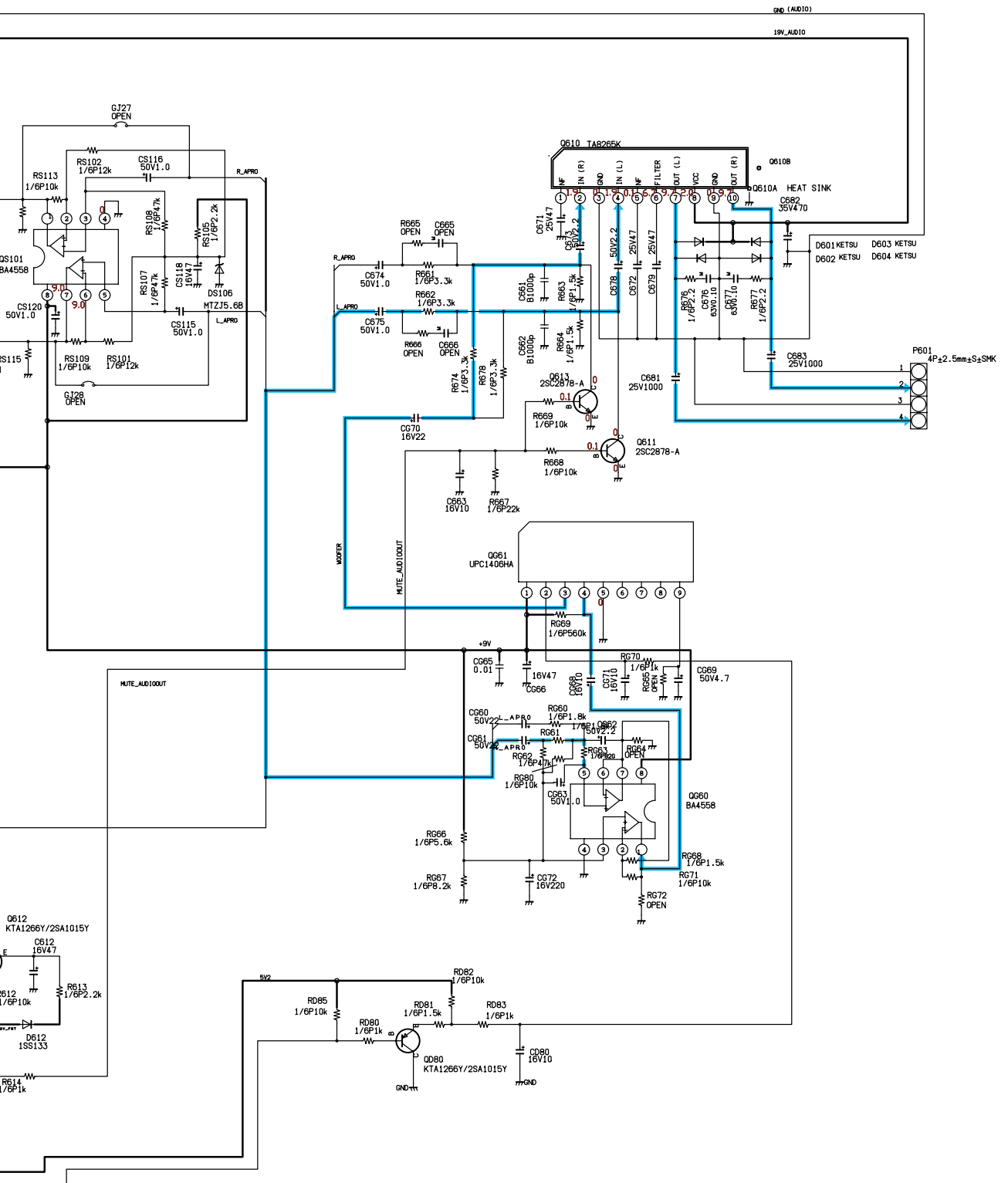
B

C

D

E

F



3 2 A F 6 2  
 SIGNAL-AUDIO  
 [SHEET-2/7]



1

2

3

4

5

6

7

8

A

B

C

D

E

F

A

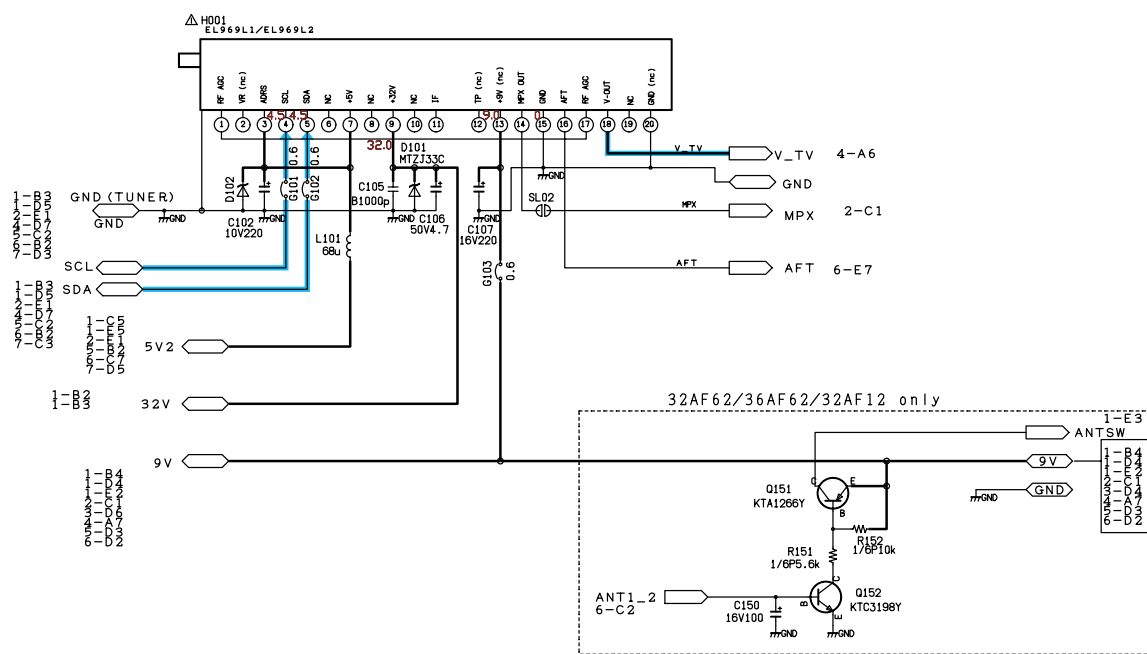
B

C

D

E

F



32AF42  
 32AF62  
 SIGNAL-TUNER/IF  
 [SHEET-3/7]

1

2

3

4

A

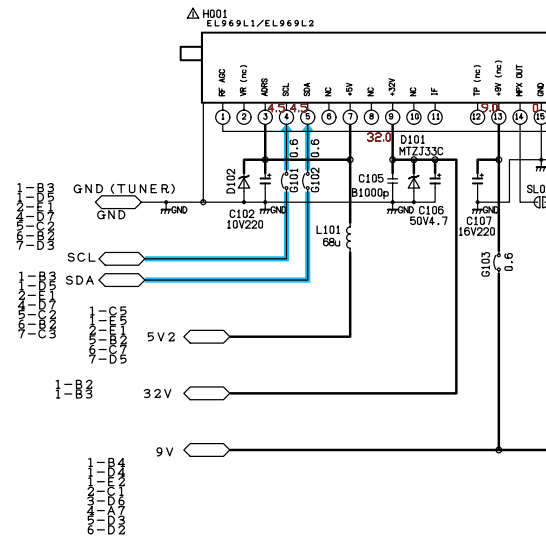
B

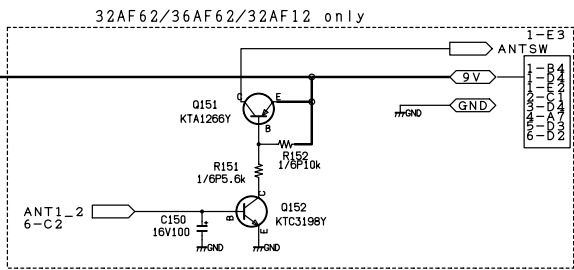
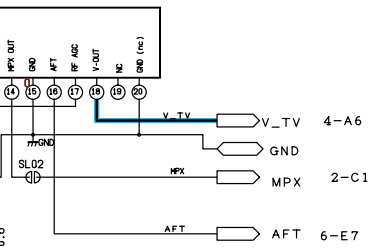
C

D

E

F

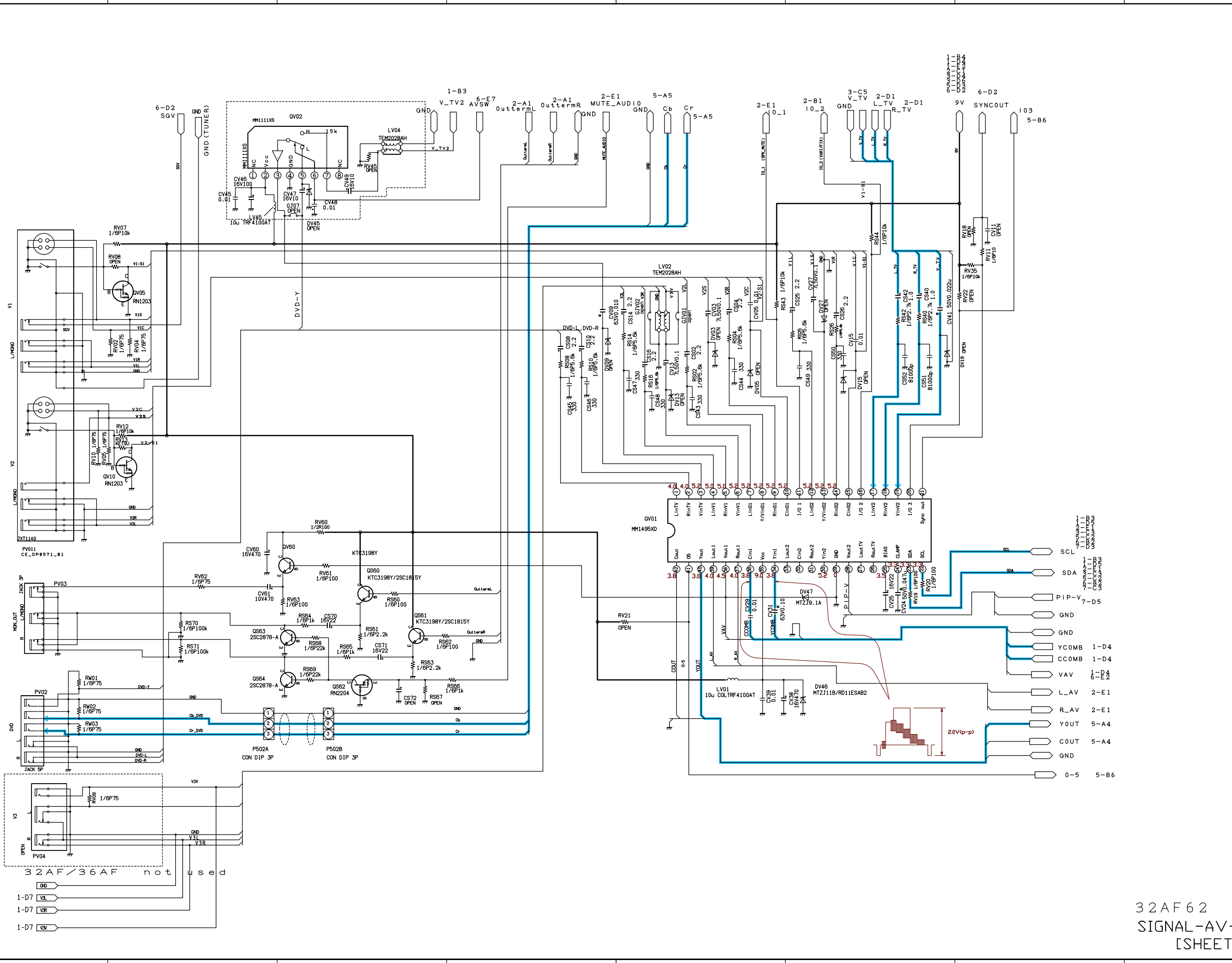




32AF42  
 32AF62  
 SIGNAL-TUNER/IF  
 [SHEET-3/7]

A  
B  
C  
D  
E  
F

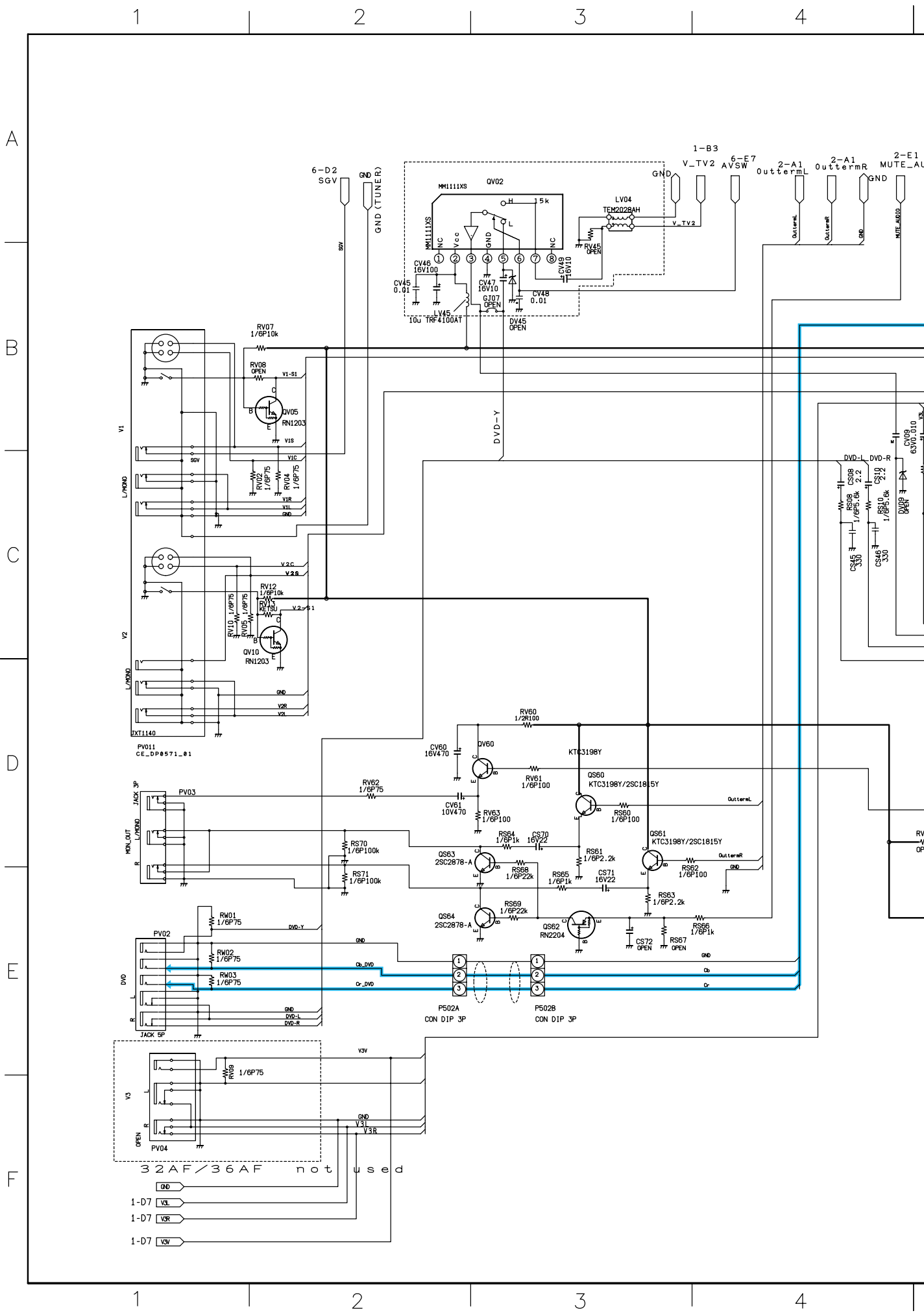
1 2 3 4 5 6 7 8

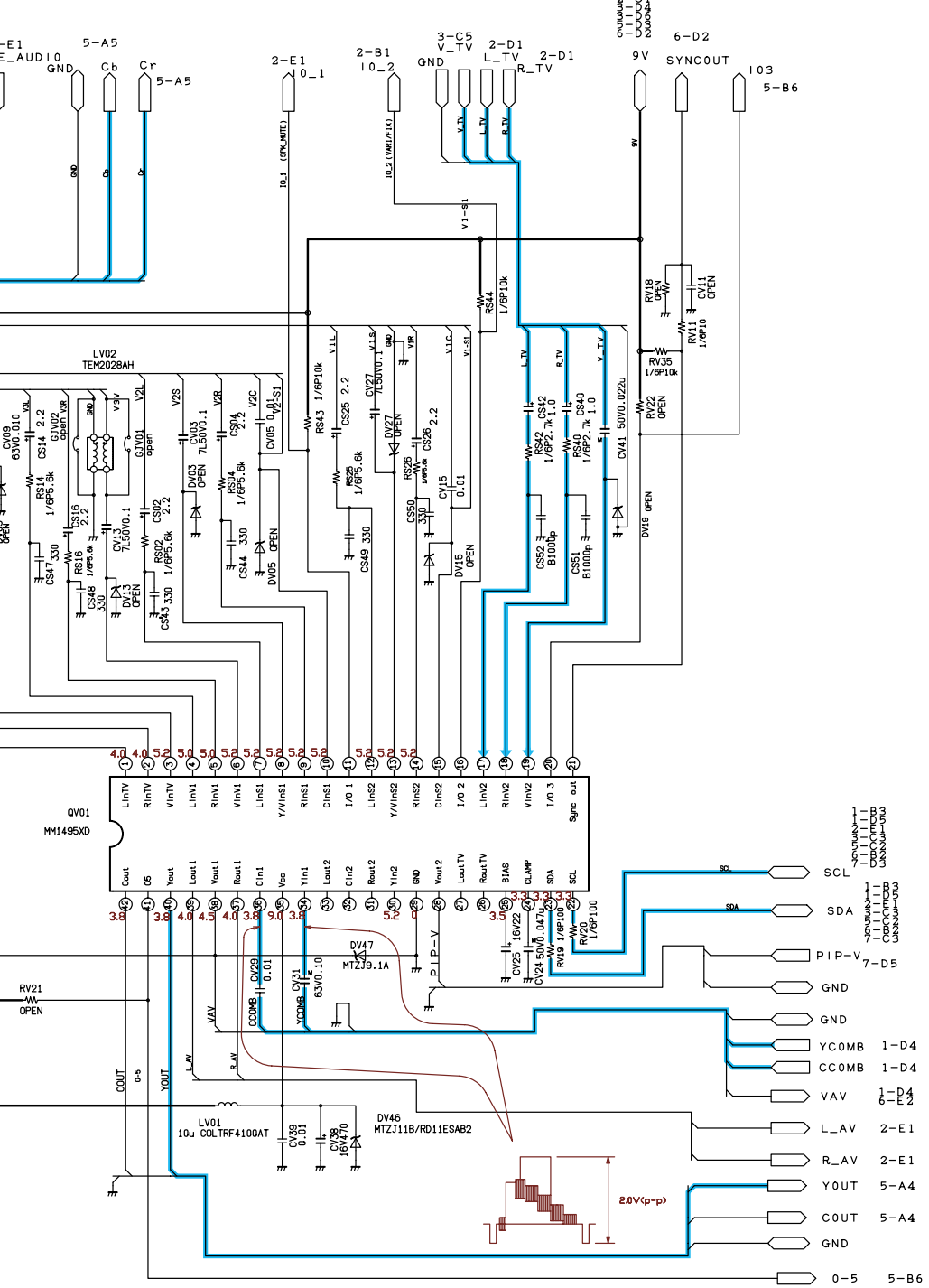


32AF62  
SIGNAL-AV-SW  
[SHEET-4/7]

1 2 3 4 5 6 7 8

A  
B  
C  
D  
E  
F





A

B

C

D

E

F

3 2 A F 6 2  
 SIGNAL-AV-SW  
 [SHEET-4/7]

1

2

3

4

5

6

7

8

A

B

C

D

E

F

A

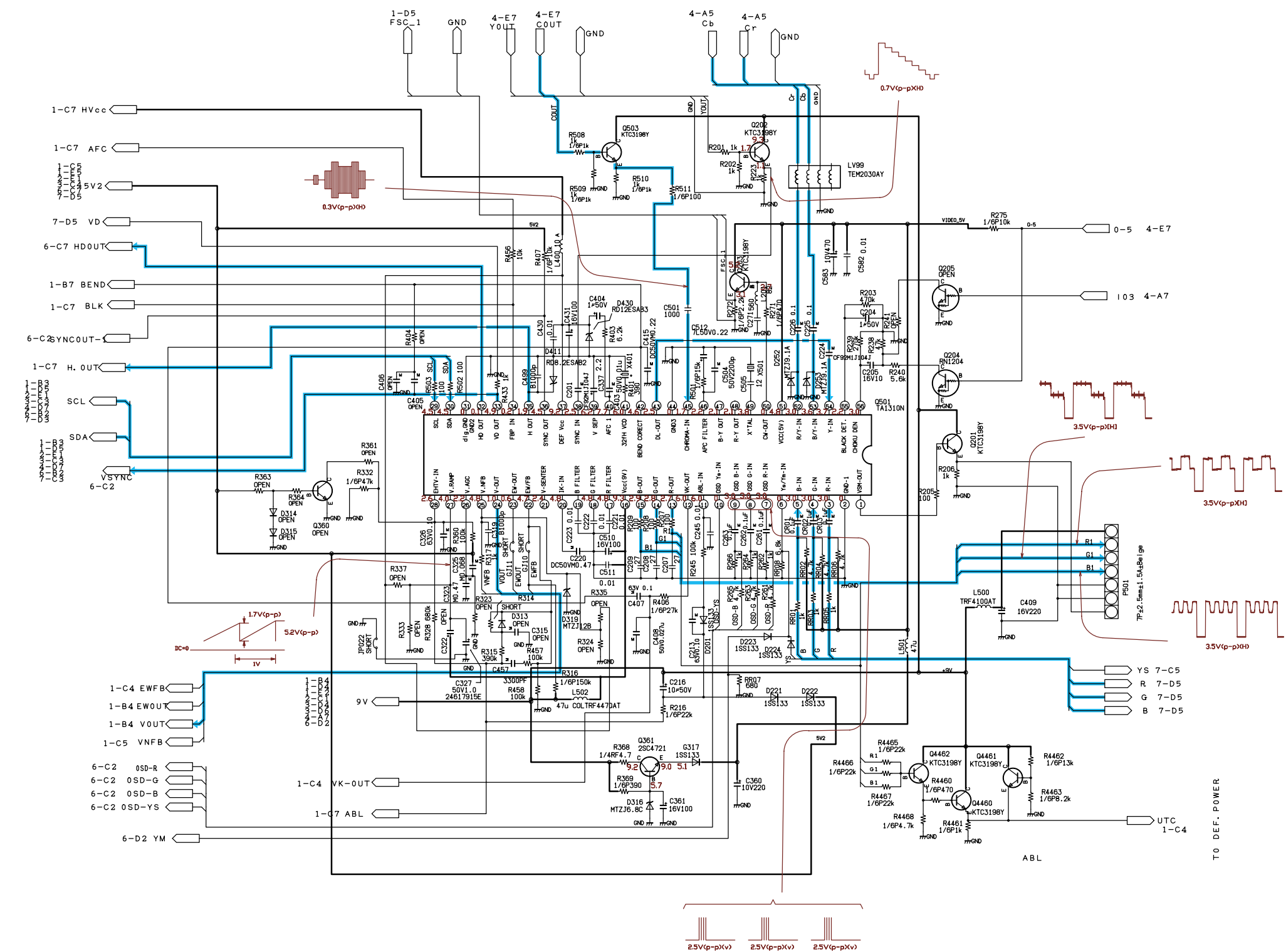
B

C

D

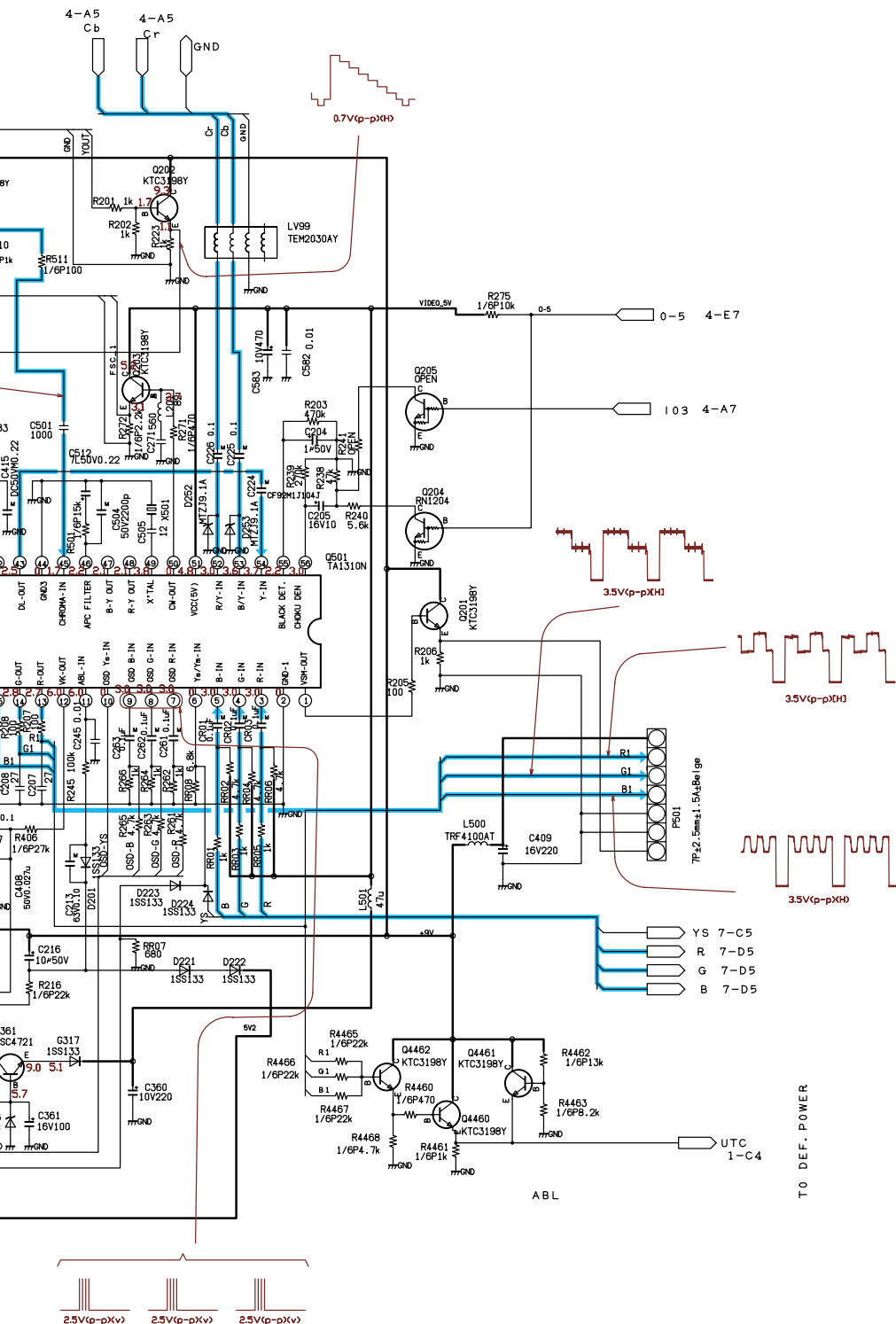
E

F









3 2 A F 6 2  
 SIGNAL-VCD  
 [SHEET-5/7]

A

B

C

D

E

F

A

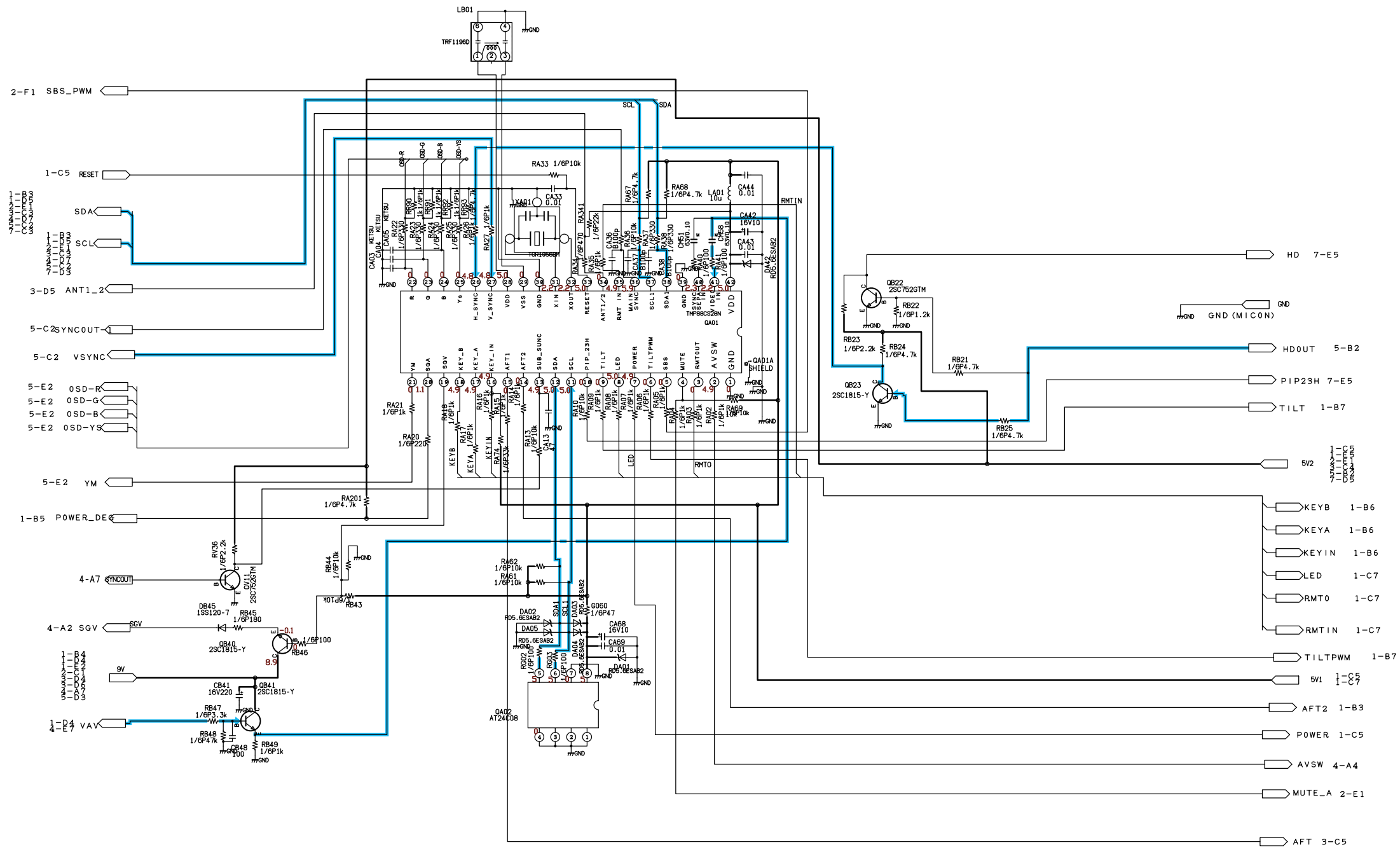
B

C

D

E

F



32AF42  
 32AF62  
 SIGNAL-IF  
 [SHEET-6/7]

A

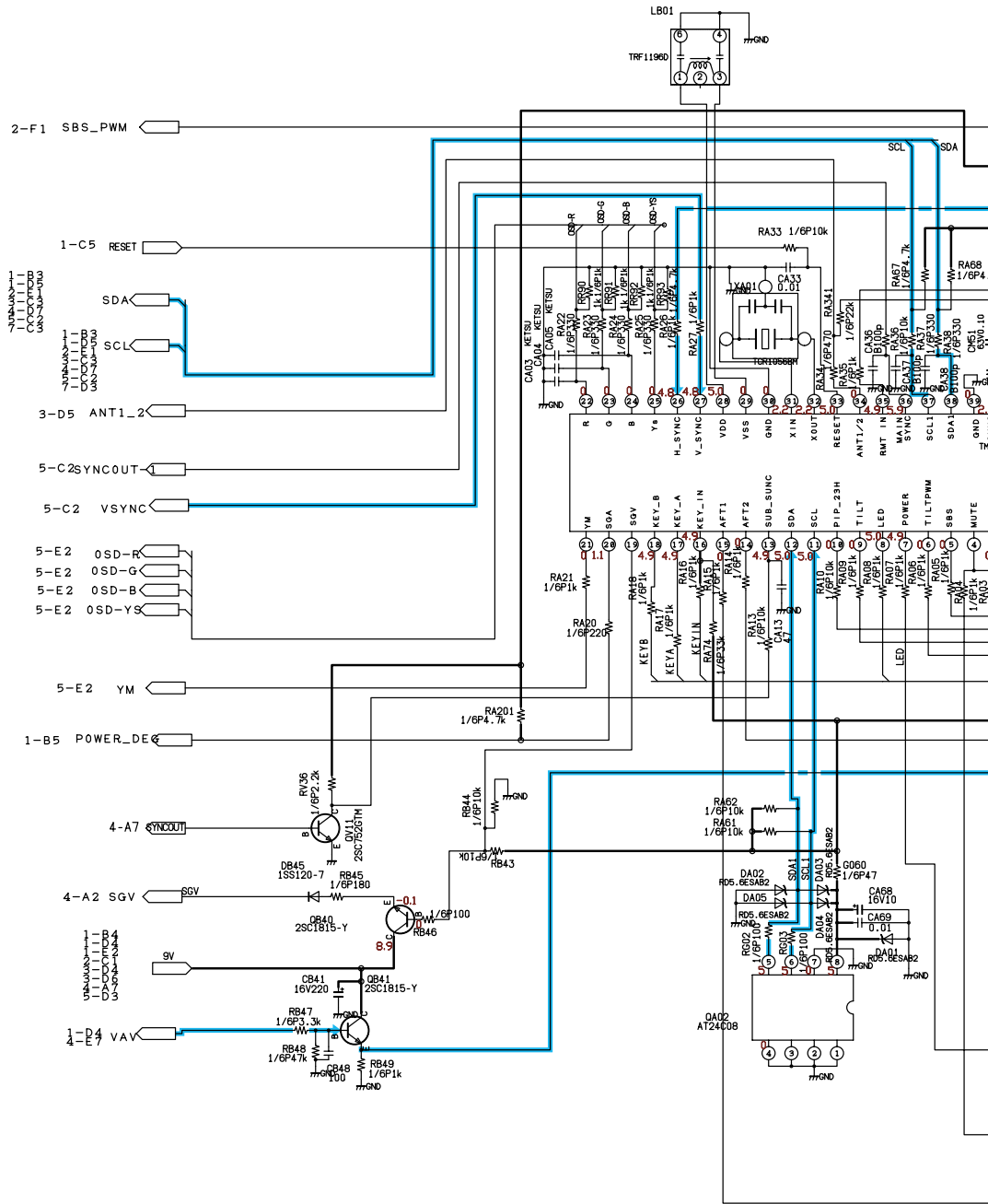
B

C

D

E

F



A

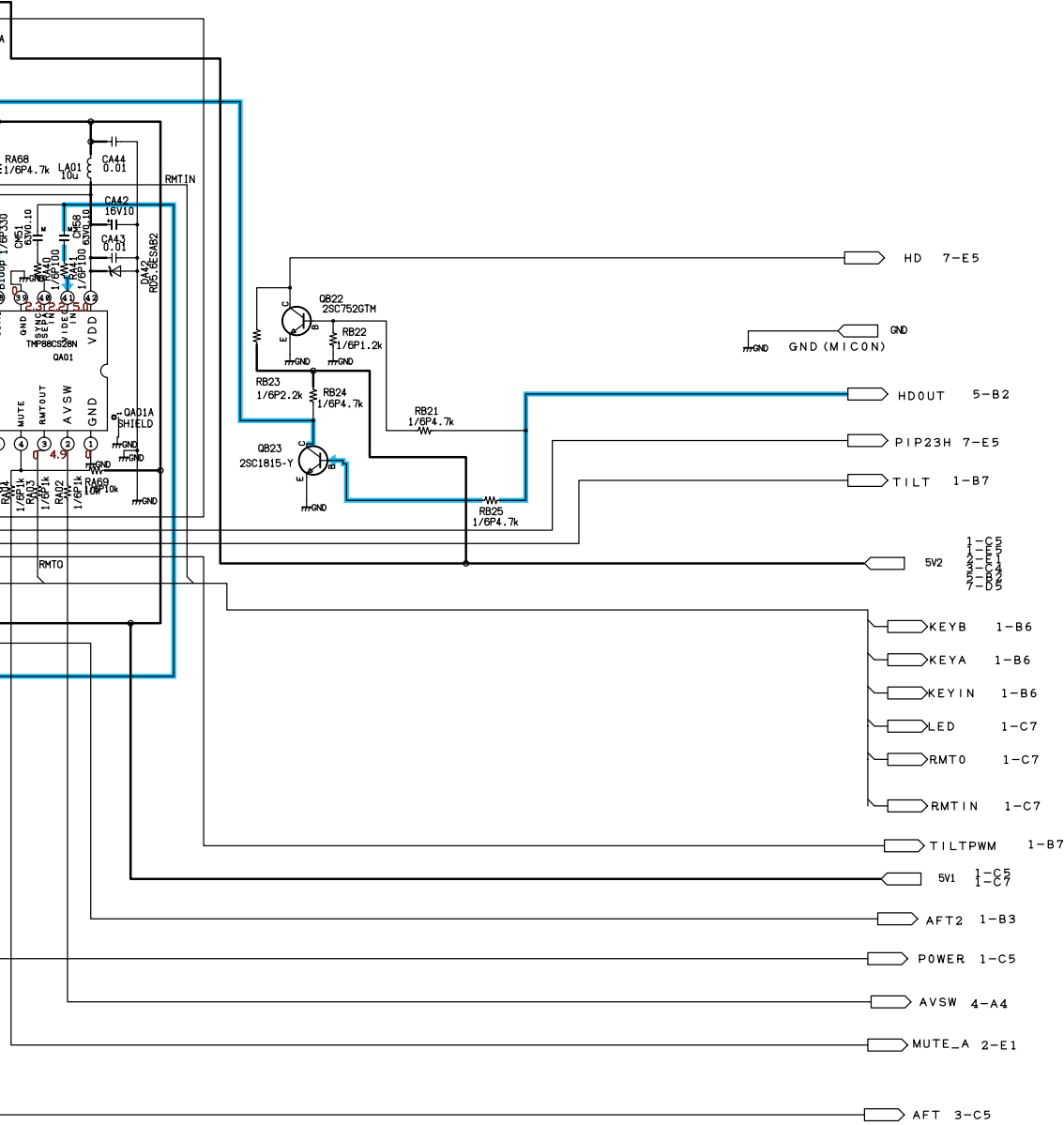
B

C

D

E

F



3 2 A F 4 2  
 3 2 A F 6 2  
 SIGNAL-IF  
 [SHEET-6/7]

A

B

C

D

E

F

1

2

3

4

5

6

7

8

A

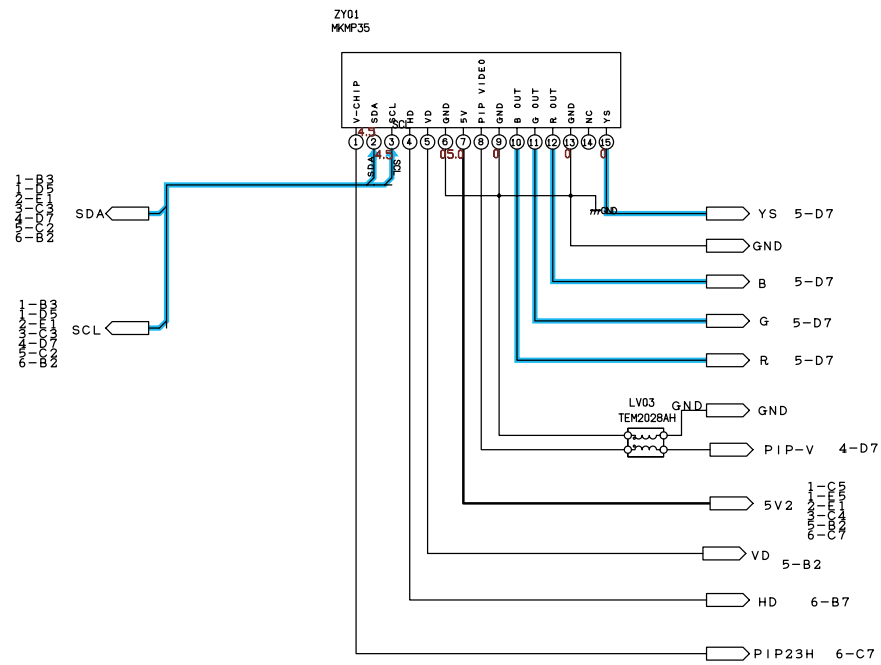
B

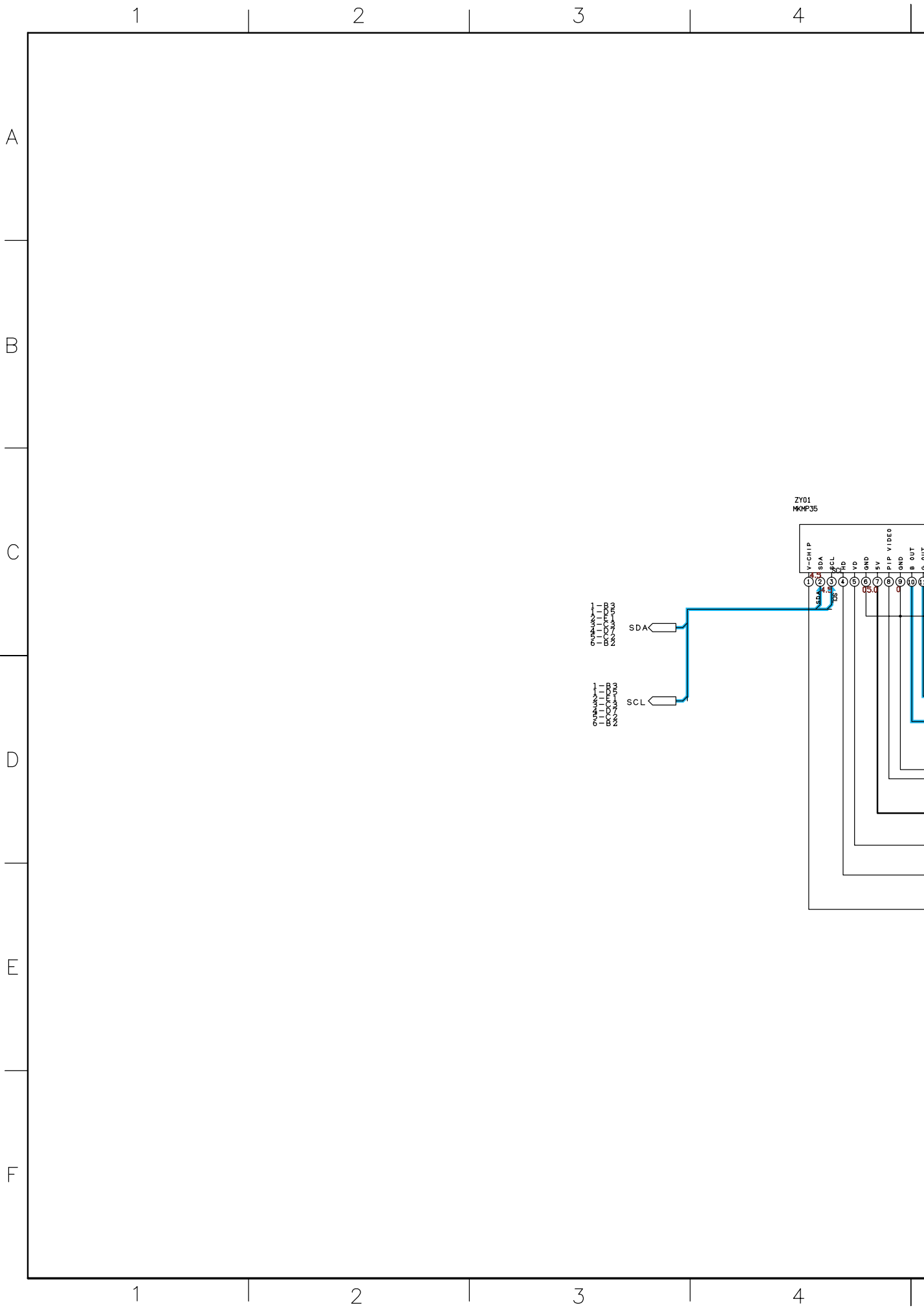
C

D

E

F





5

6

7

8

A

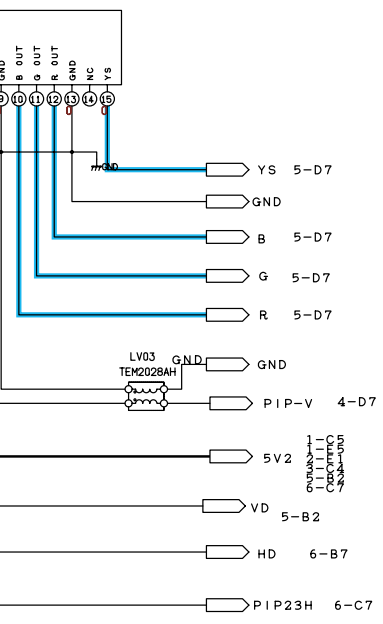
B

C

D

E

F



3 2 A F 6 2  
 SIGNAL-MW  
 [SHEET-7/7]

5

6

7

8

A

B

C

D

E

F

A

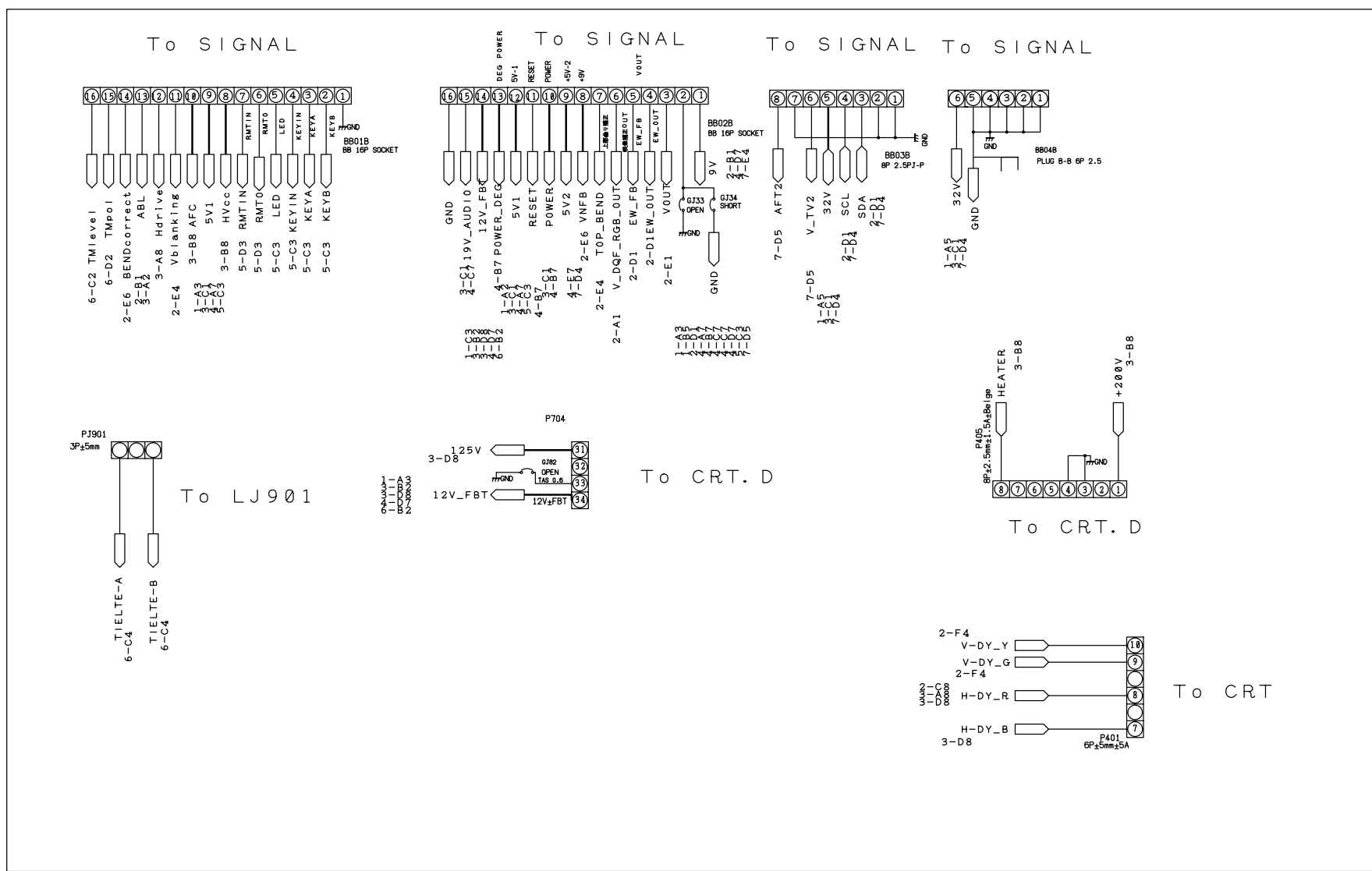
B

C

D

E

F







A

B

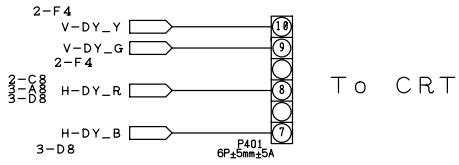
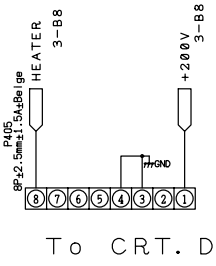
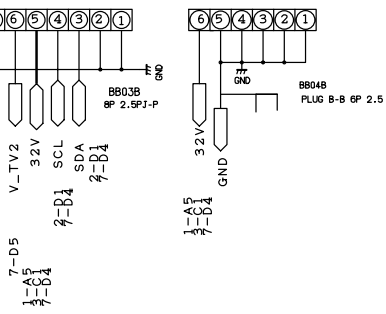
C

D

E

F

SIGNAL To SIGNAL



1 2 3 4 5 6 7 8

A

A

B

B

C

C

D

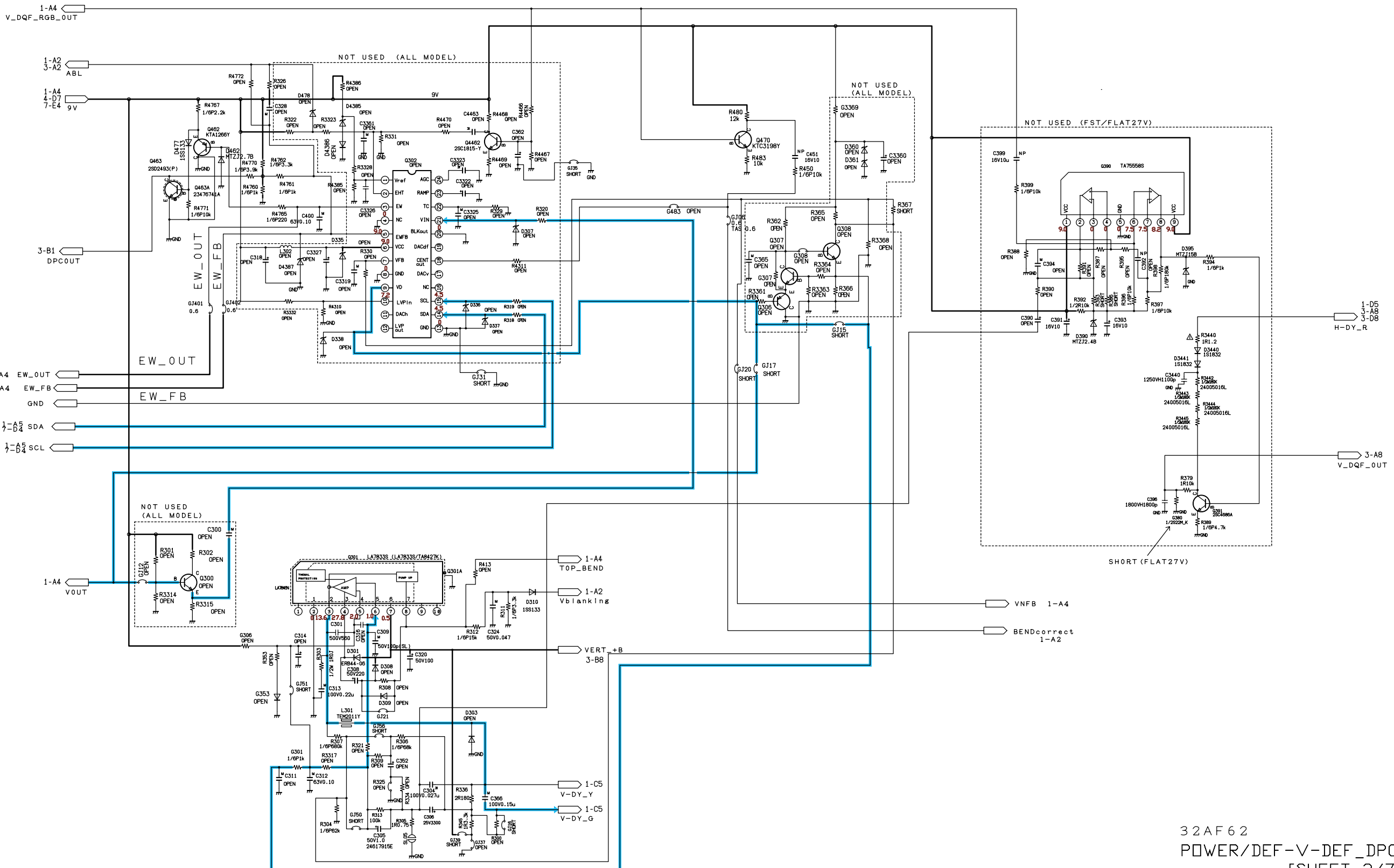
D

E

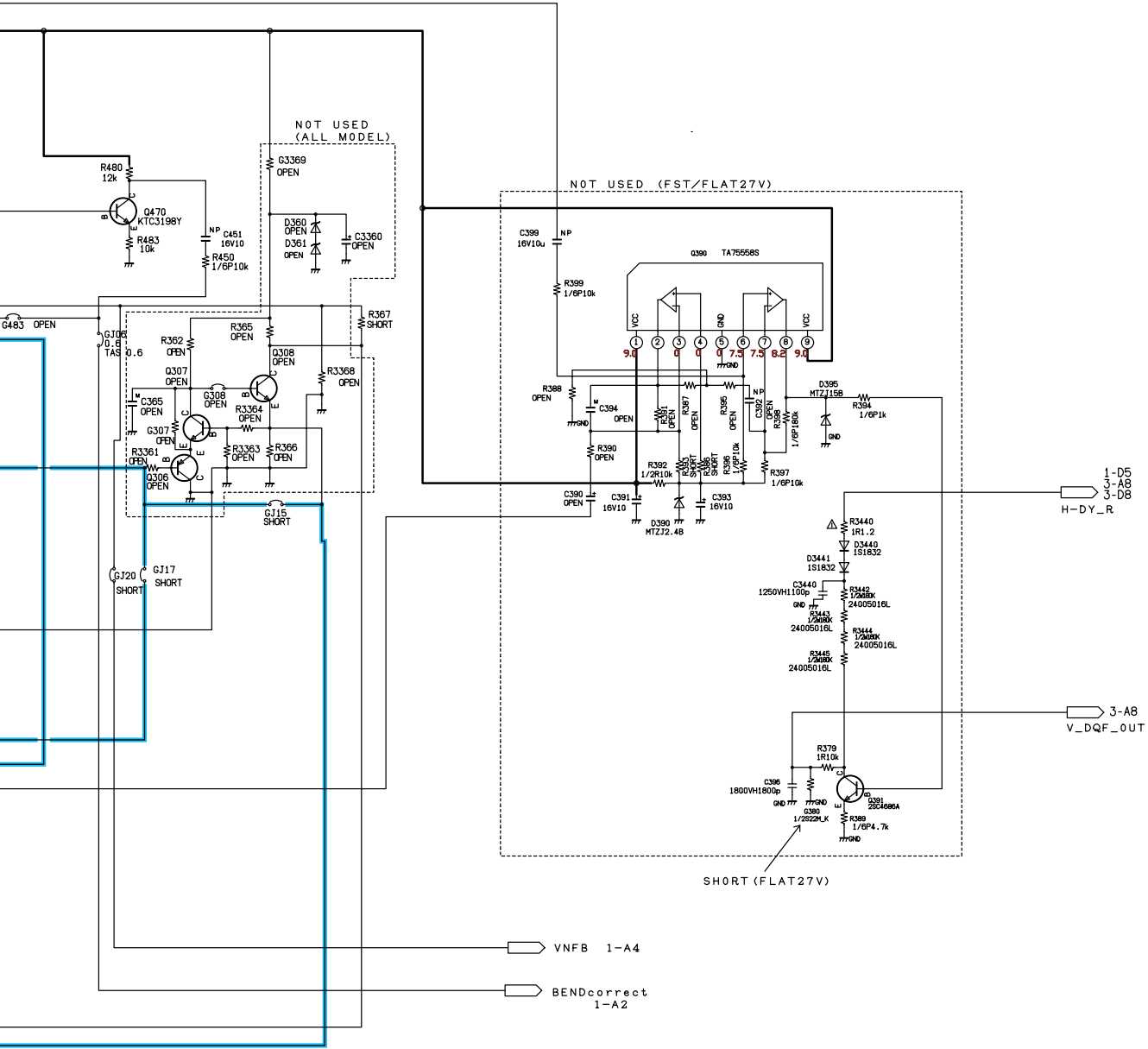
E

F

F







A

A

B

B

C

C

D

D

E

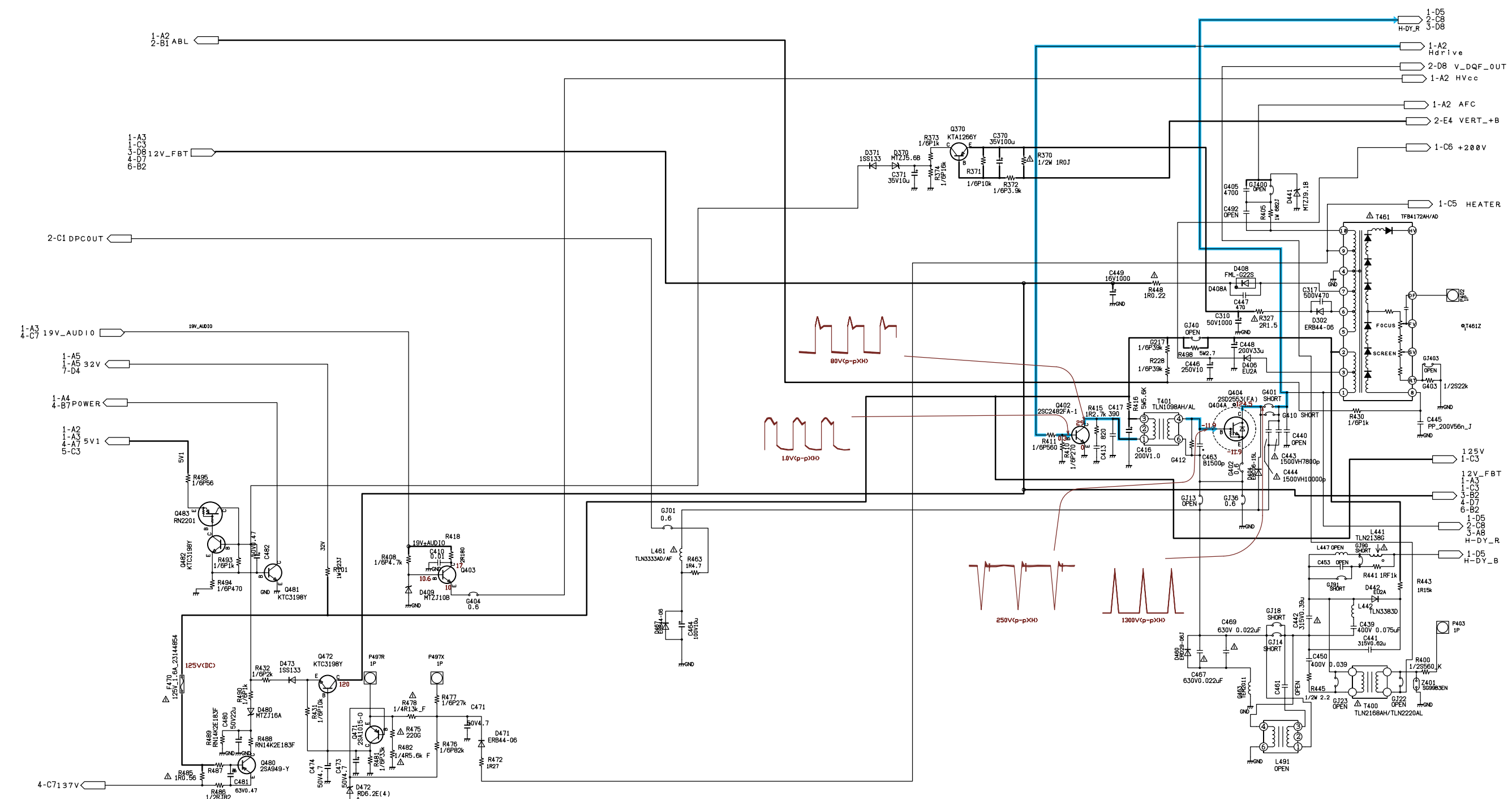
E

F

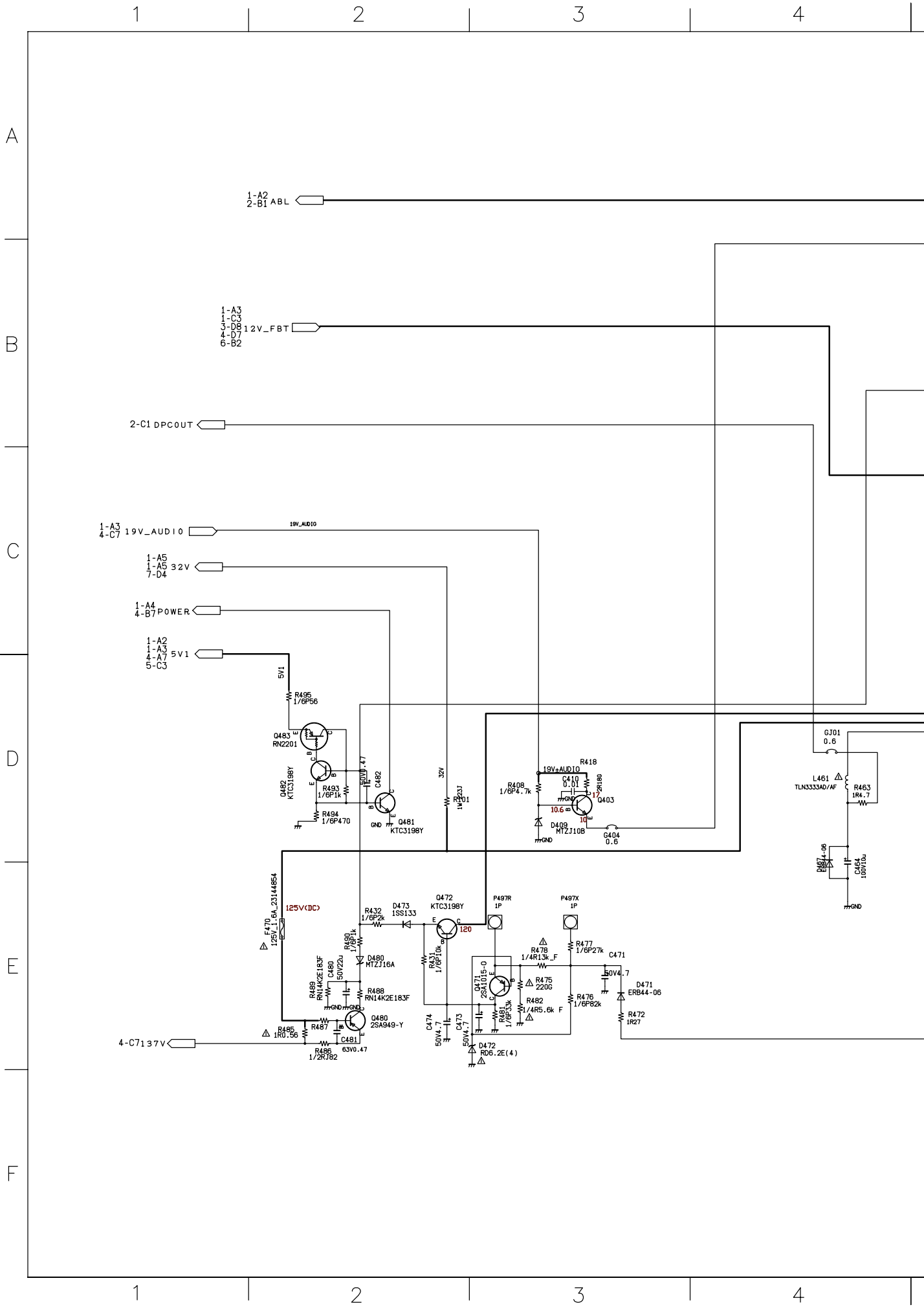
F

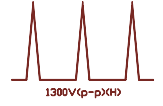
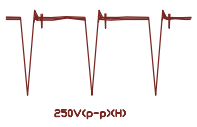
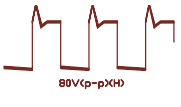
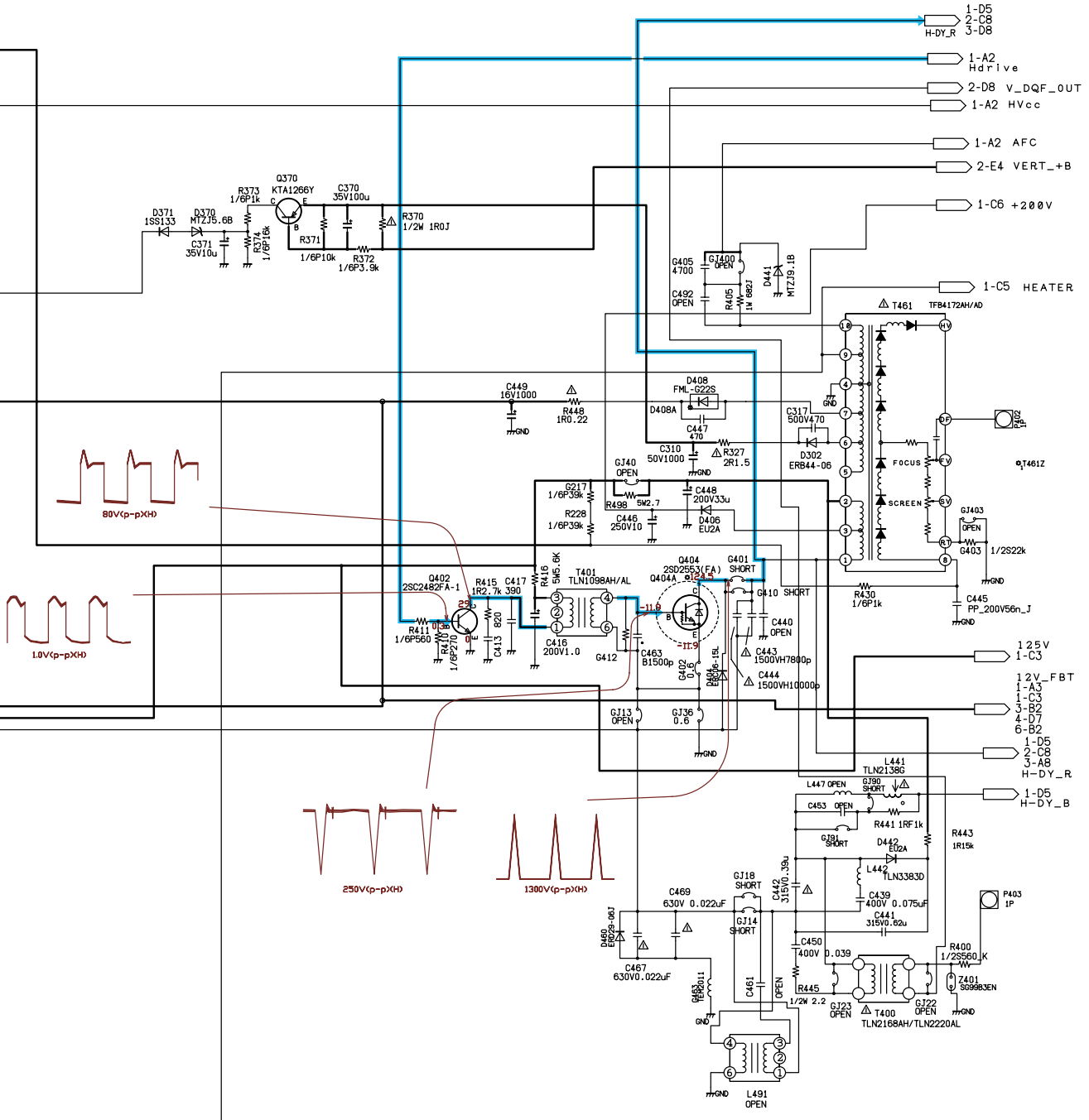
1 2 3 4 5 6 7 8

1 2 3 4 5 6 7 8



32AF62  
 POWER/DEF-H DEF  
 [SHEET-3/7]





32AF62  
 POWER/DEF-H DEF  
 [SHEET-3/7]



1 2 3 4 5 6 7 8

A

B

C

D

E

F

A

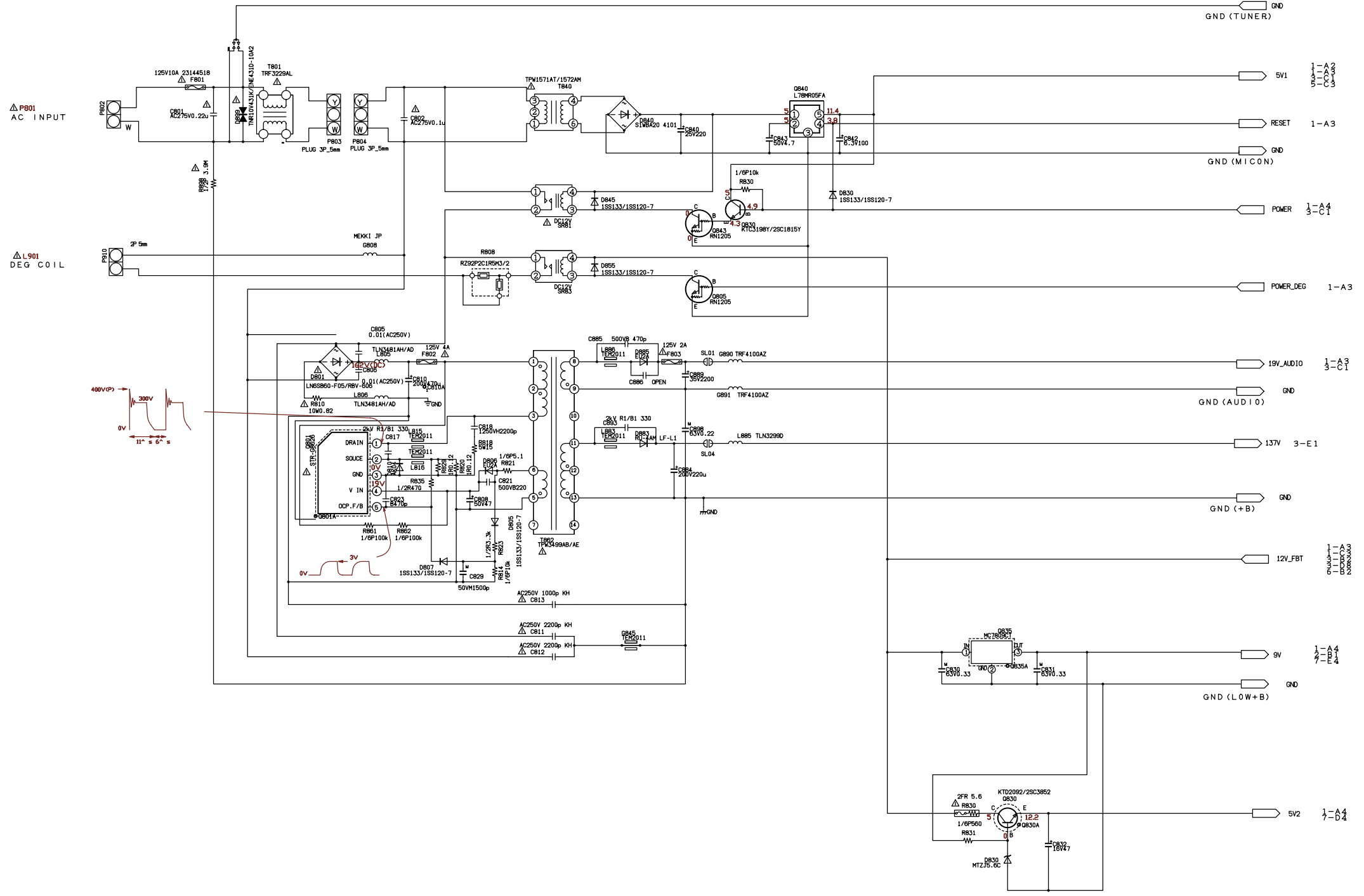
B

C

D

E

F



3 2 A F 6 2  
 POWER/DEF-POWER  
 [SHEET-4/7]

1

2

3

4

A

B

C

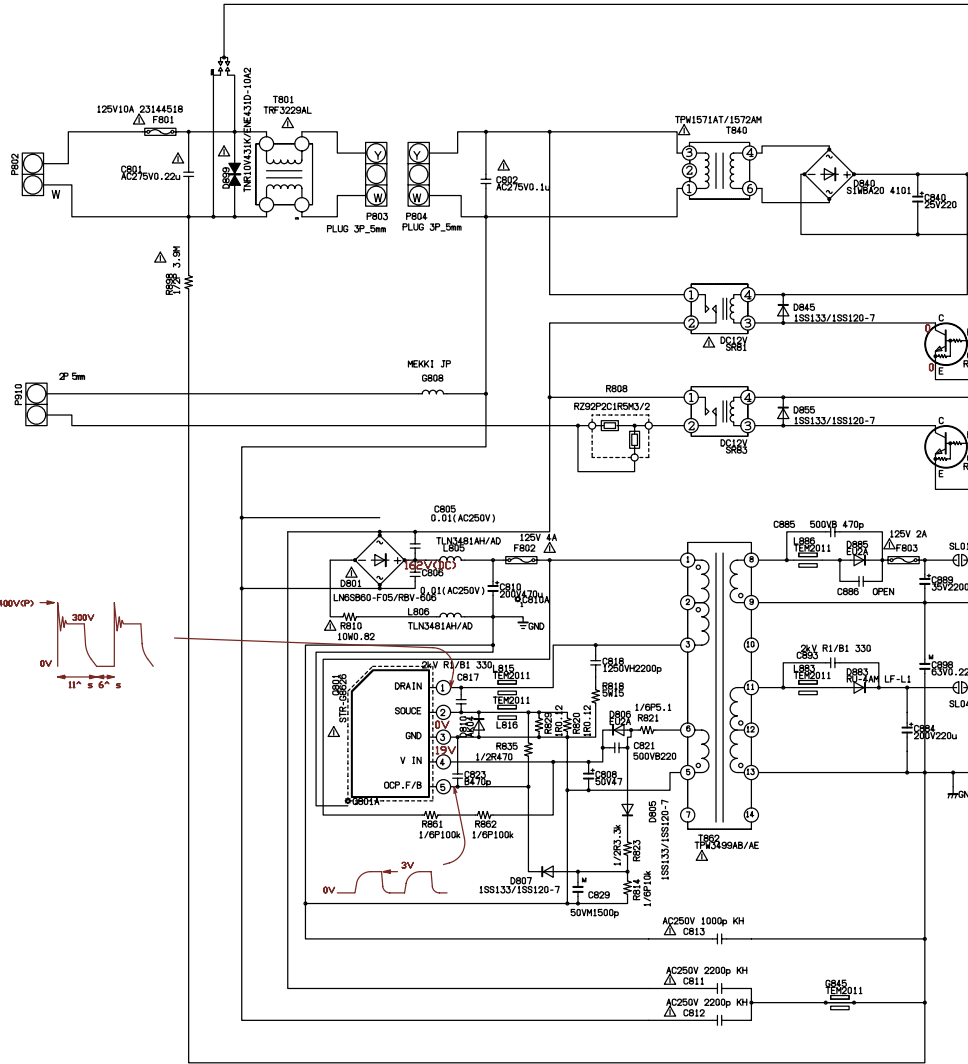
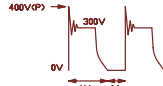
D

E

F

P801  
AC INPUT

L901  
DEG COIL



1

2

3

4

A

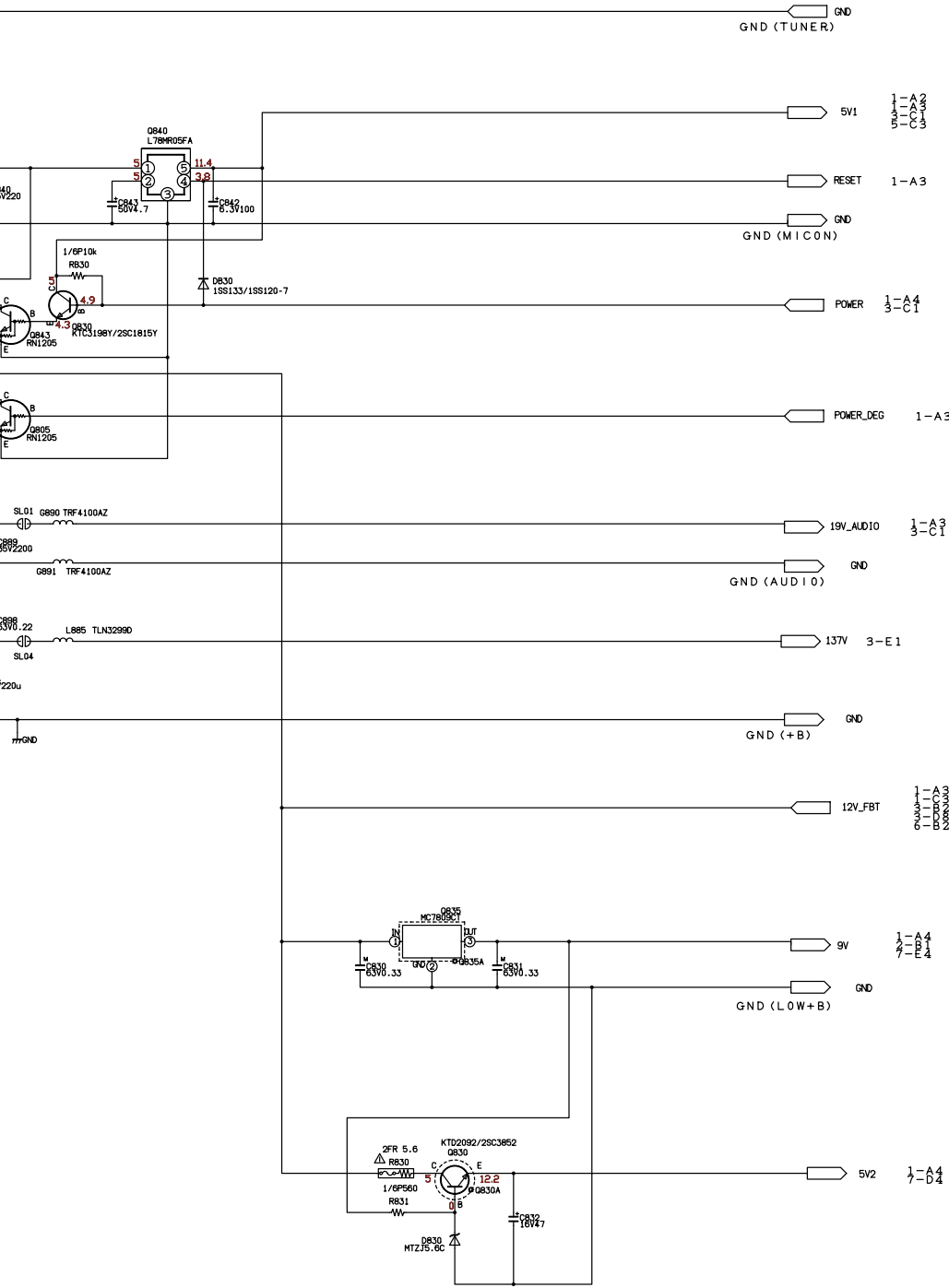
B

C

D

E

F



32AF62  
 POWER/DEF-POWER  
 [SHEET-4/7]

1

2

3

4

5

6

7

8

A

B

C

D

E

F

A

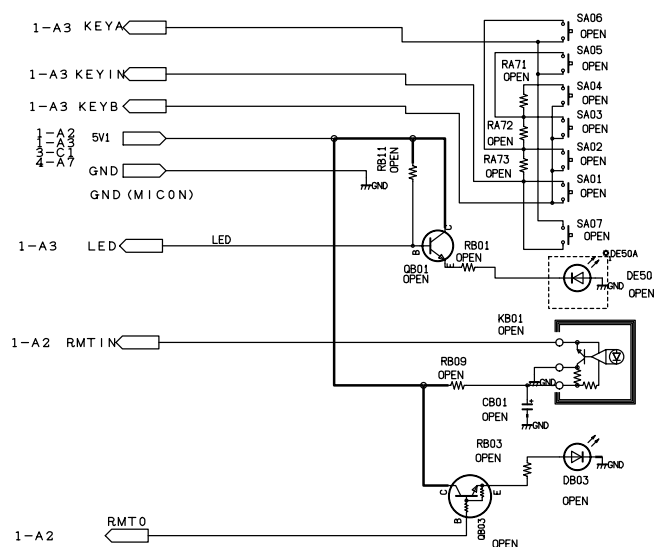
B

C

D

E

F



1

2

3

4

5

6

7

8

1

2

3

4

A

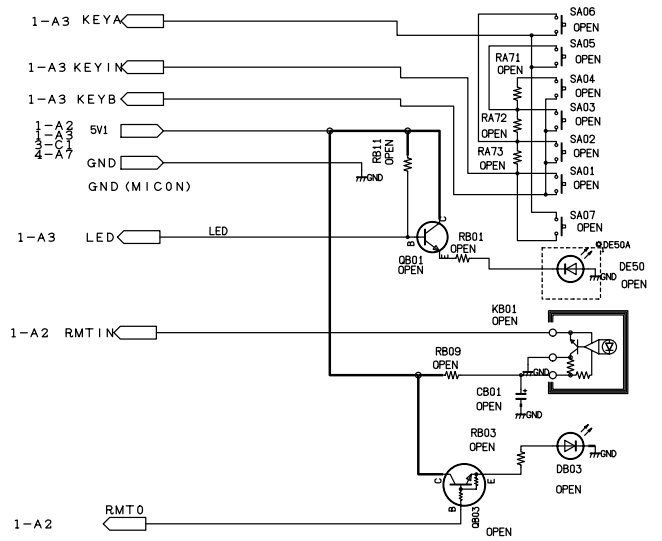
B

C

D

E

F



1

2

3

4

5

6

7

8

A

B

C

D

E

F

32AF62 32AF42  
POWER/DEF-KEY-LED  
[SHEET-5/7]

5

6

7

8

1

2

3

4

5

6

7

8

A

B

C

D

E

F

A

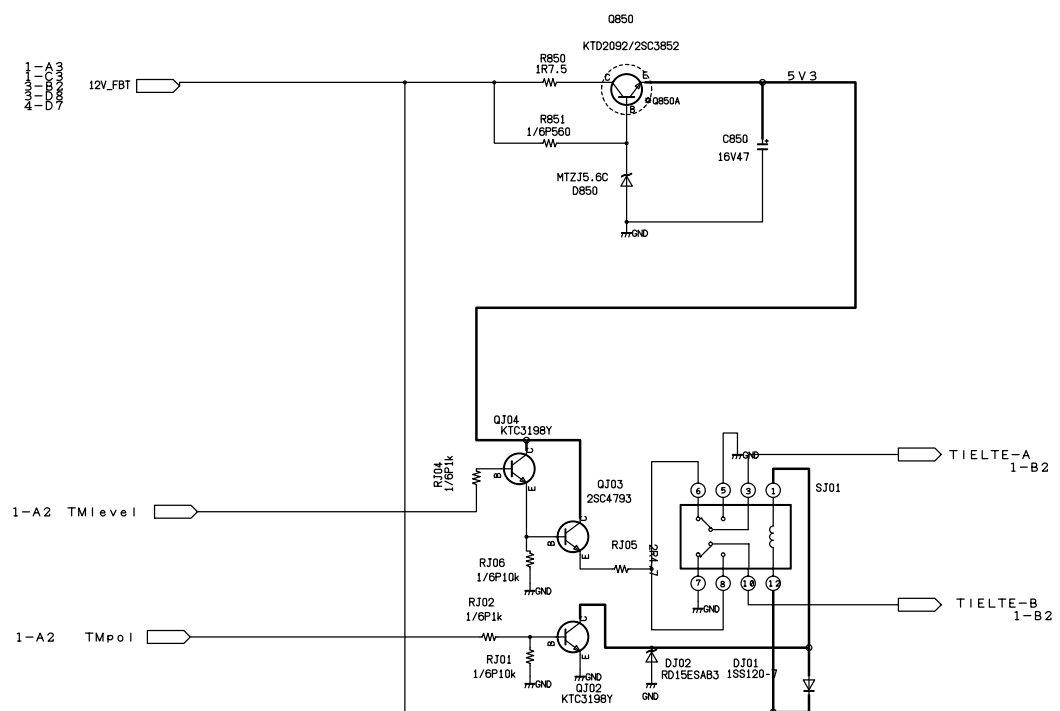
B

C

D

E

F



32AF62  
32AF42

32AF62 32AF42  
POWER/DEF-TILT  
[SHEET-6/7]

1

2

3

4

5

6

7

8

1

2

3

4

A

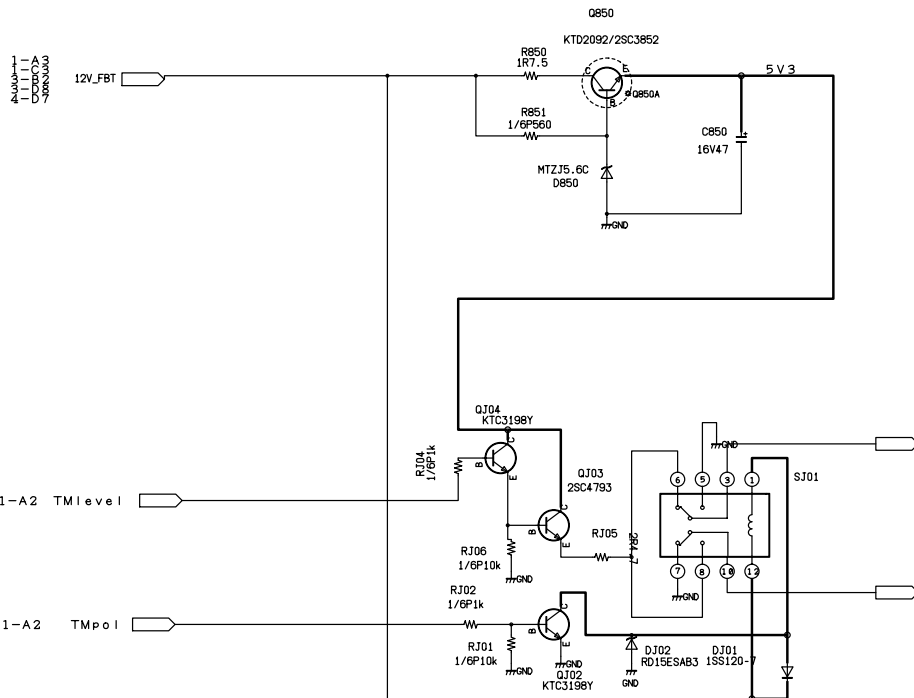
B

C

D

E

F



3 2 A F 6 2  
3 2 A F 4 2

1

2

3

4



5

6

7

8

A

B

C

D

E

F

⇒ TIELTE-A  
1-B2

⇒ TIELTE-B  
1-B2

32AF62 32AF42  
POWER/DEF-TILT  
[SHEET-6/7]

5

6

7

8

1

2

3

4

5

6

7

8

A

B

C

D

E

F

A

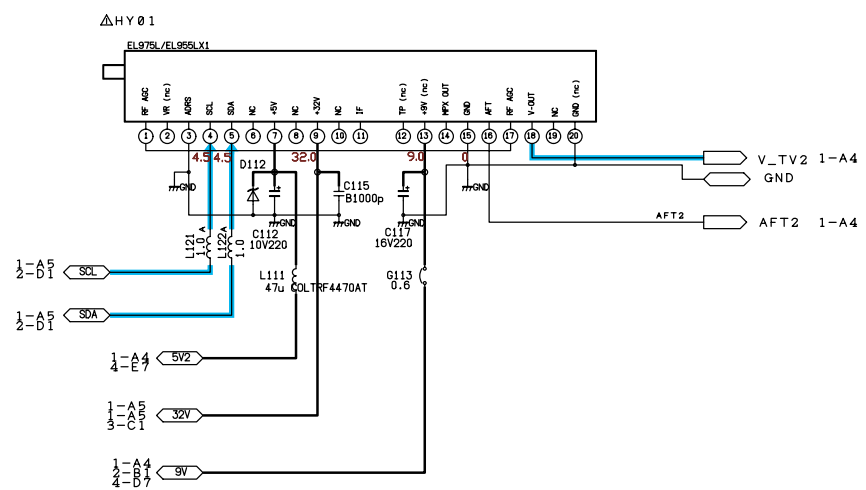
B

C

D

E

F



32AF62  
36AF62

32AF62 36AF62  
POWER/DEF-PIP SUB-TUNER  
[SHEET-7/7]

1

2

3

4

5

6

7

8

1

2

3

4

A

B

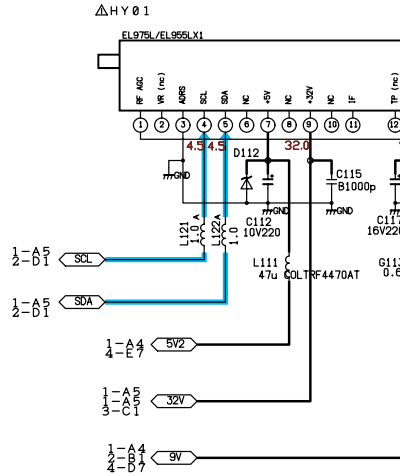
C

D

E

F

3 2 A F 6 2  
3 6 A F 6 2



5

6

7

8

A

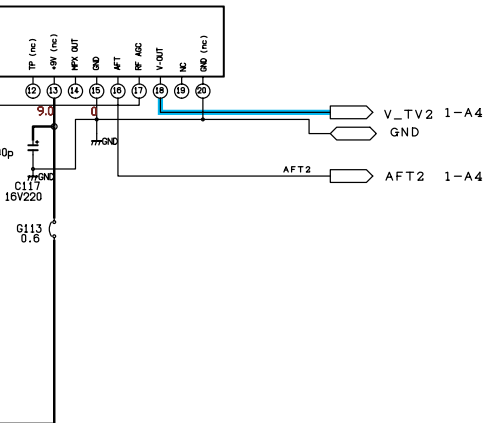
B

C

D

E

F



32AF62 36AF62  
 POWER/DEF-PIP SUB-TUNER  
 [SHEET-7/7]

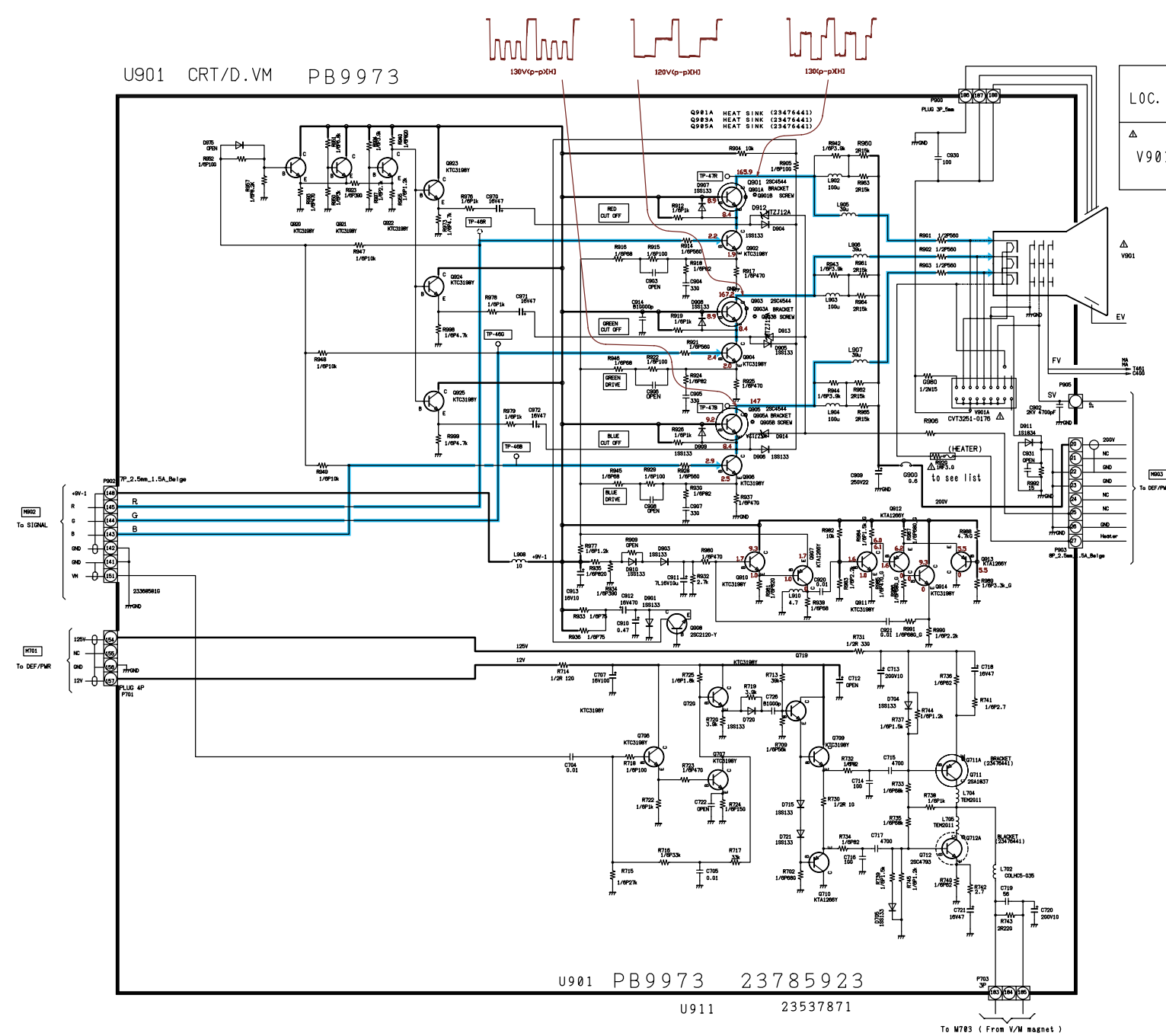
5

6

7

8

U901 CRT/D.VM PB9973

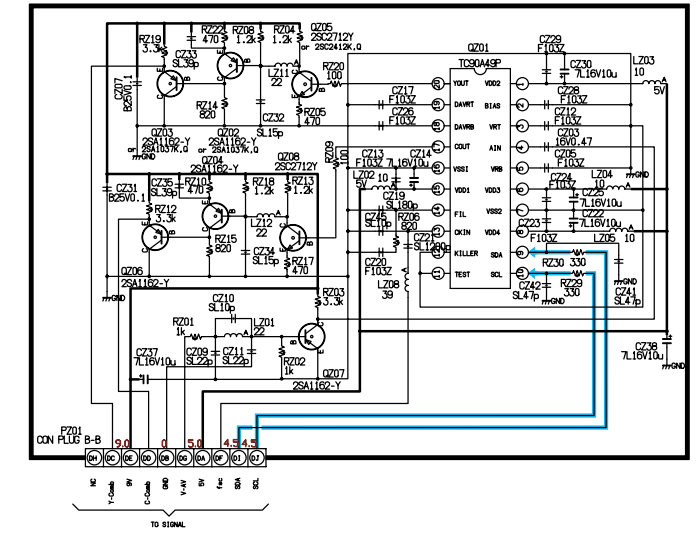


LOC. No	36AF62	32AF62
	36AF42	32AF42
Δ		
V901	A90AJZ90X04 TDD	A80AJZ90X01 TDD

U901 PB9973 23785923

U911 23537871

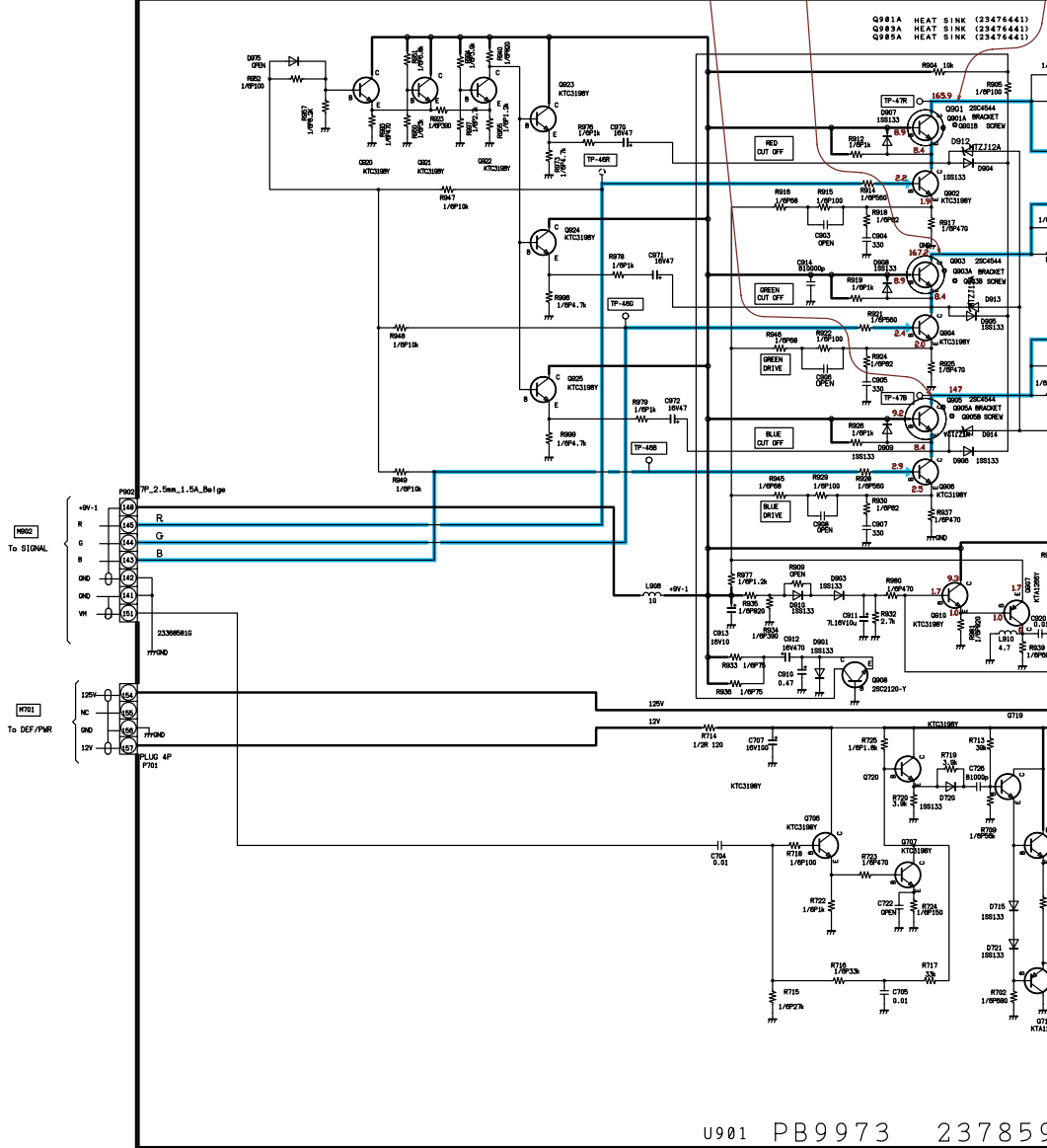
DIGITAL COME FILTER(3LINE) PB9398A



3L DIGI-COMB  
 CRT-D VM  
 36AF42  
 36AF62

A  
B  
C  
D  
E  
F  
G  
H

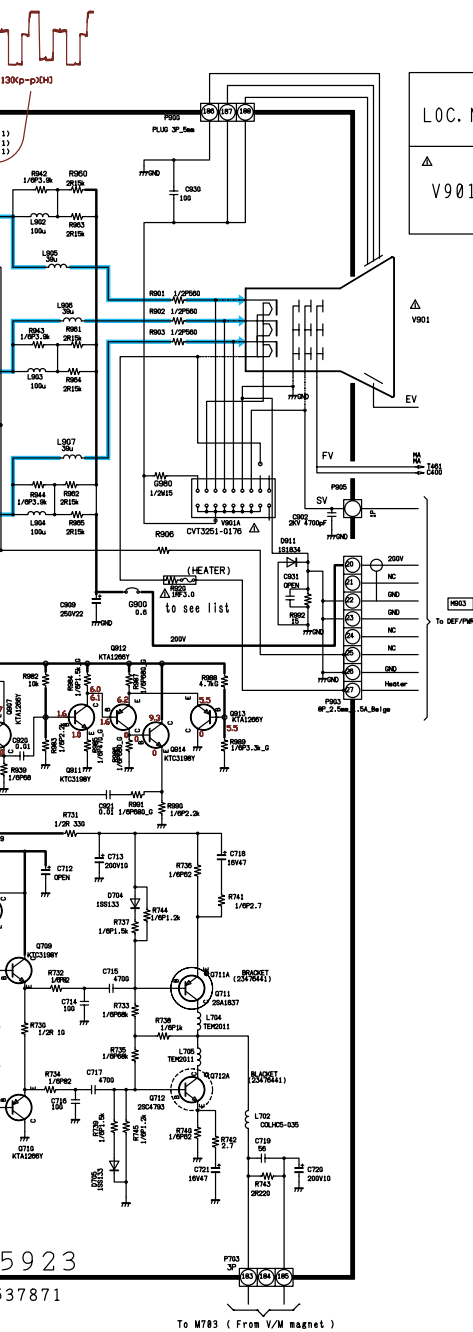
U901 CRT/D.VM PB 9973



U901 PB 9973 237859

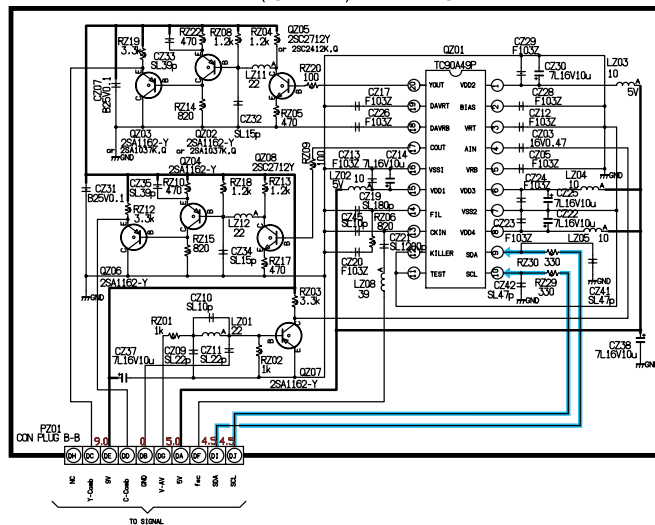
U911 235378

A  
B  
C  
D  
E  
F  
G  
H



LOC. No	36AF62 36AF42	32AF62 32AF42
Δ V901	A90AJZ90X04 TDD	A80AJZ90X01 TDD

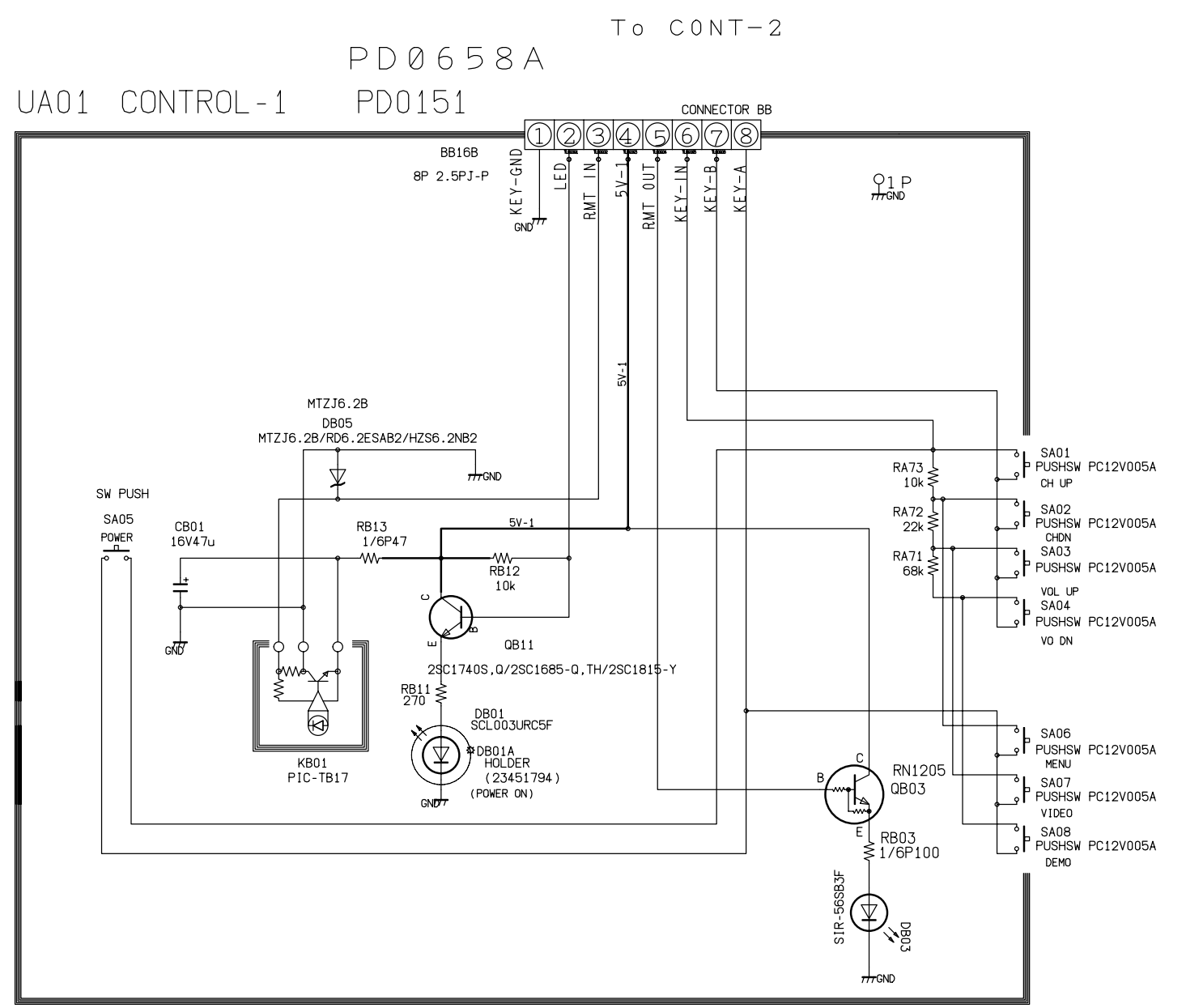
DIGITAL COME FILTER(3LINE) PB9398A



3L DIGI-COMB  
CRT-D VM  
36AF42  
36AF62

1

2



A

A

B

B

CONTROL-1  
32AF62  
32AF42

1

2

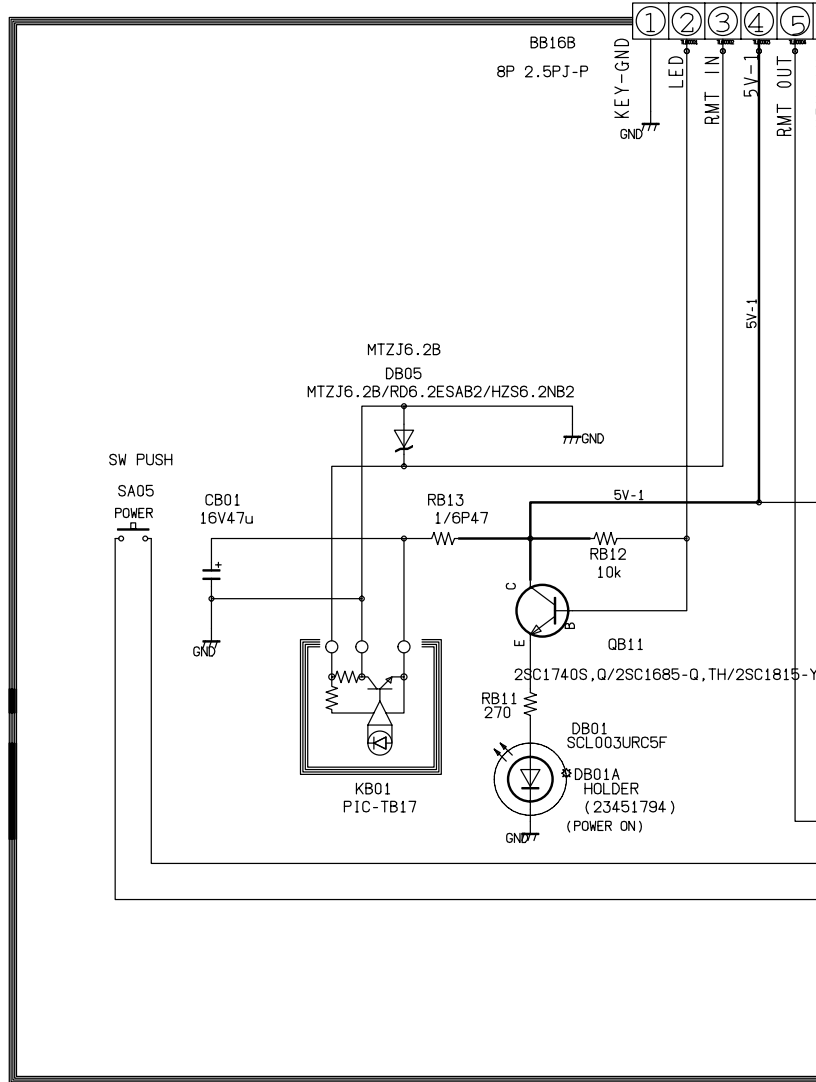


PD0658A

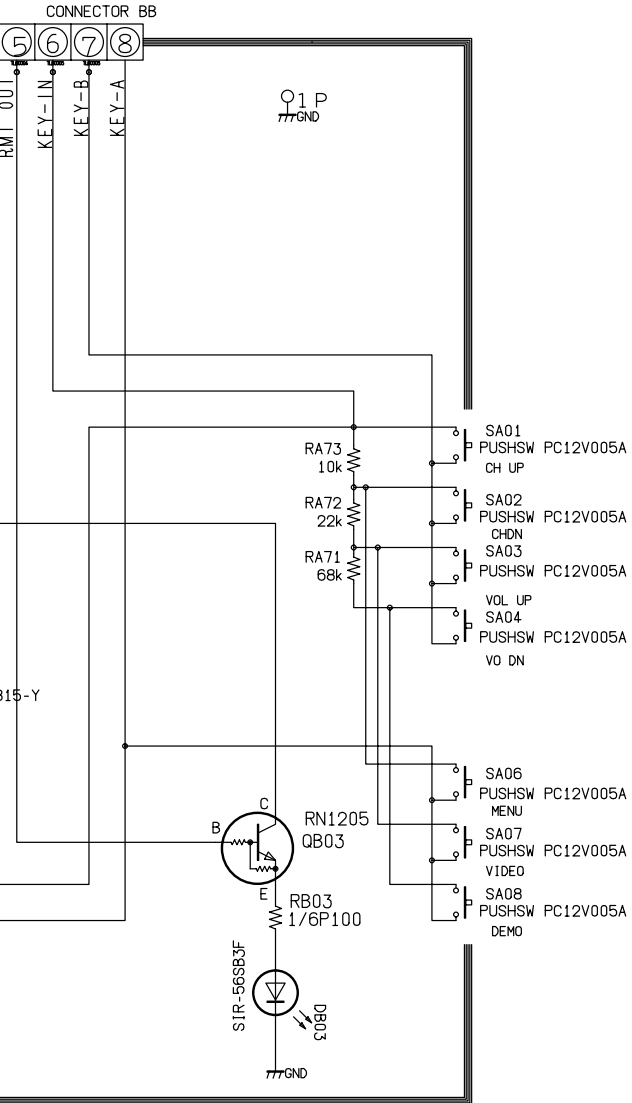
UA01 CONTROL-1 PD0151

A

B



CONT-2



A

B

CONTROL-1  
 32AF62  
 32AF42

1 2 3 4 5 6 7 8

A A

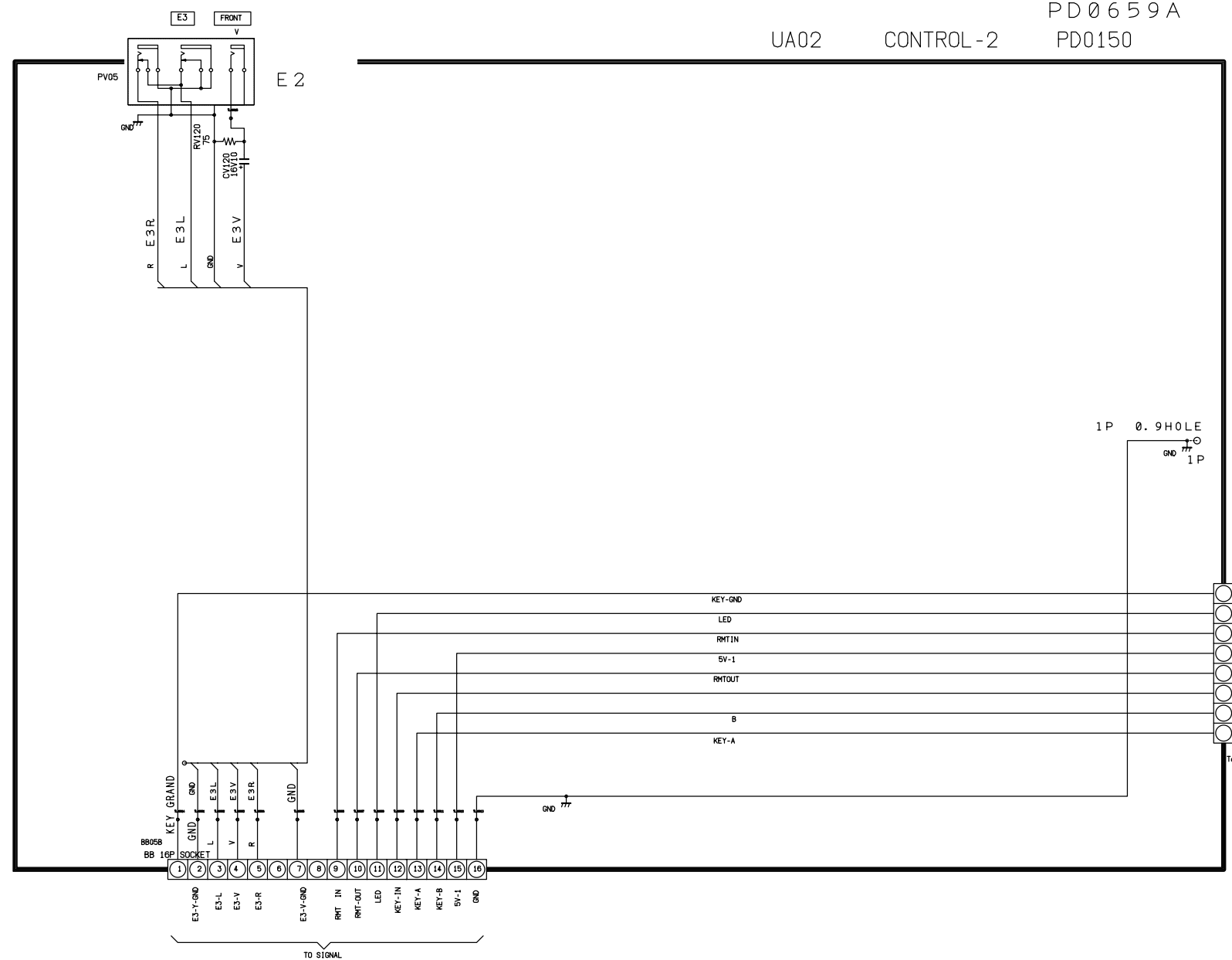
B B

C C

D D

E E

F F



UA02 CONTROL-2 PD0150

PD0659A

1P 0.9HOLE  
GND 1P

CONNECTOR BB  
 BB16A  
 6P  
 KEY-GND  
 LED  
 RMTIN  
 SV-1  
 RMTOUT  
 KEY-IN  
 B  
 KEY-A  
 To CONT-1

CONTROL-2  
 36AF62  
 32AF42

1 2 3 4 5 6 7 8

1

2

3

4

A

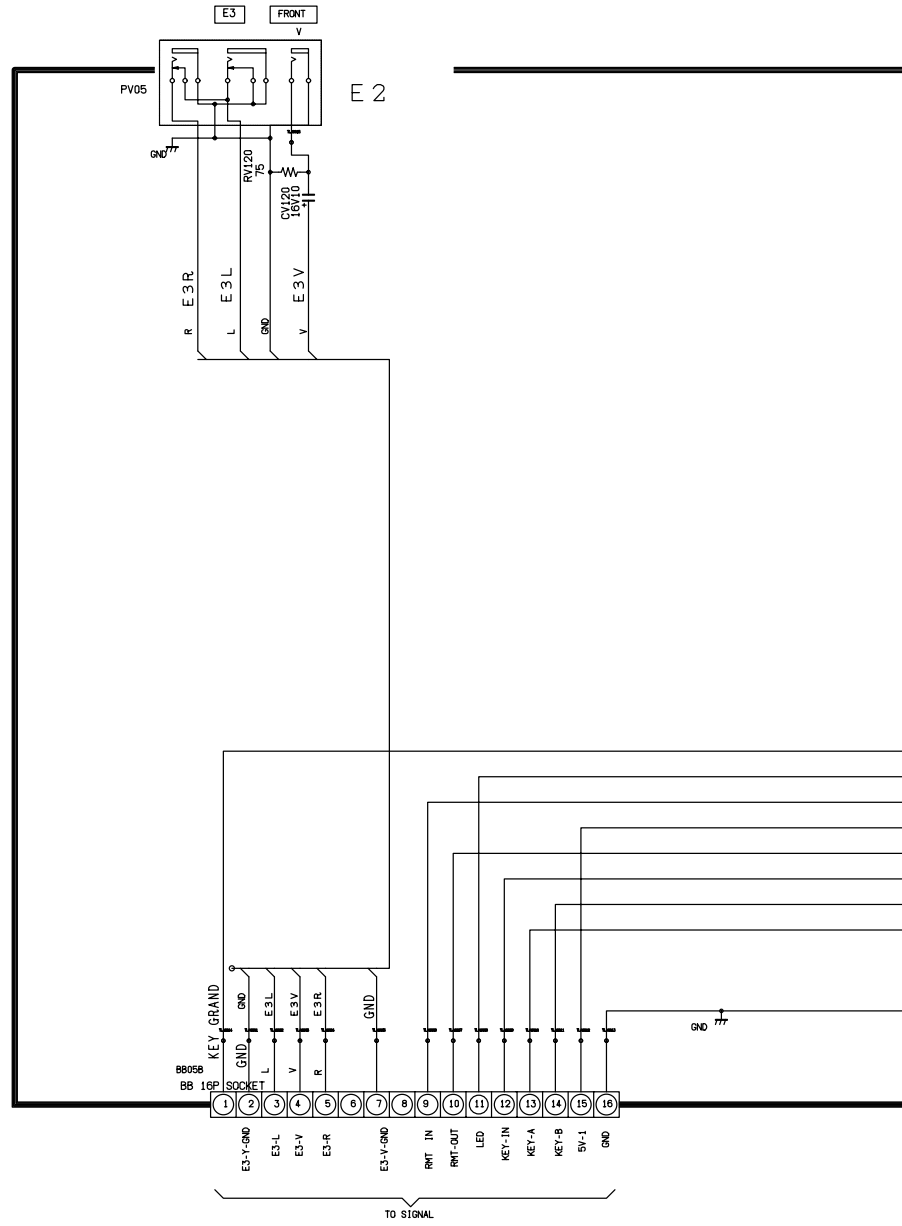
B

C

D

E

F



1

2

3

4

5

6

7

8

A

B

C

D

E

F

UA02

CONTROL-2

PD0659A

PD0150

1P 0.9HOLE  
GND 1P

CONNECTOR BB

BB16A  
8P

KEY-GND

LED

RMTIN

SV-1

RMTOUT

B

KEY-A

KEY-GND

LED

RMTIN

SV-1

RMTOUT

KEY-IN

B

KEY-A

To CONT-1

CONTROL-2  
36AF62  
32AF42

5

6

7

8